



Full compatible to conventional CVS1

Real size
All in one Compact design !!
W42 * H95 * D33.8 mm

Advantages of new desine

- 1) Bigger display 1.8" (conventional CVS1 : 1.5")
- 2) PC communication feature.
- 3) Switchable to 16 Banks even under synchronization and external teaching process.
- 4) Brightness of internal LED lighting is adjustable.

All in one IP67

- Every feature needed into one body
- Handy compact design enables IP67 compliant and space saving

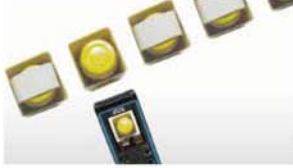


Application

Checking existence of label on bottle



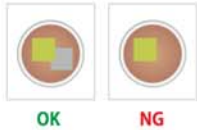
Checking existence of description of pills



Checking existence of printing on the box



Checking existence of seasoning bag



Checking marking on electric components



Checking existence of wafer



Checking existence of tape on the box



Checking color of spring



High speed response time: 0.6~22ms

The vision processor developed newly enables high speed response time.

PC software dedicated for CVS1-R series

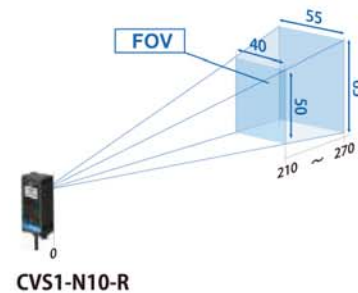
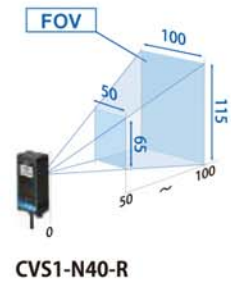
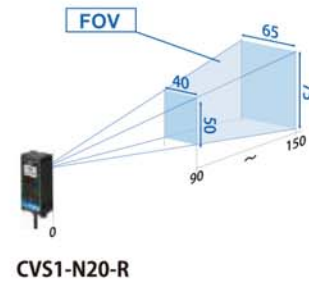
Enables communication between CVS1-R and PC.

- Uploading and downloading of setup parameters
- Remote control
- Monitoring
- Logging
- Saving images

* Connection cable CVS-C2C is needed separately



Line up



(mm)



800.280.6933
www.Optex-Ramco.com



Accessories for CVS series

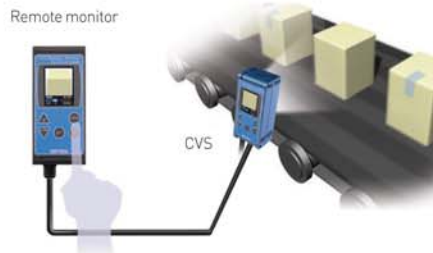
Remote monitor (with 3m cable)



CVS-M1
You can use for CVS1, 2, 3, 4



CVSE-M1
Only for CVS1easy



You can control from Remote monitor that has LCD and buttons to control remotely. The buttons work same as CVS series itself.

I/O Expansion unit



TMC-N11-CVS
With CVS2 (only for color area mode) : You can get sorting output up to 15 utilizing 4 output from CVS2
With CVS3 and CVS4 : You can use all Banks even using synchronous input and external teaching input
*You can't use for CVS1 and CVS1easy

PC I/F cable (2m)



CVS-C2C
For CVS2, 3, 4
You can download the I/F software from our homepage. You can setup CVS2, CVS3 and CVS4 through each software and can get registered image. You can also modify mask area easily on the PC display.

Video cable (3m)



CVS-CN
For CVS1easy, 1, 2, 3, 4
You can see the display image connecting standard TV monitor (NTSC).

PC I/F cable + I/F cable for Video Out (2m)



CVS-C2Y
For CVS2, 3, 4
You can connect PC and CVS-M1. You can see the screen image on the CVS-M1.
* You can't control through CVS-M1.

Extension cable for Remote monitor (3m)



CVS-C3S
For CVS-M1, CVSE-M1
You can connect Remote monitor through this cable up to 15m (4 CVS-C3S = 12m + 3m cable of Remote monitor)

PC I/F cable + Video cable (2m)



CVS-C2P(2m)
For CVS2,3,4
You can connect PC and get video signal at a time.

Required PC spec.
- Microsoft Windows XP, 2000
- RS232 I/F
Software is downloadable from <http://www.optex-fa.com>

When you use TV monitor, please use it vertically



External light in CVS series shape



CVS-LW1(white color LED)
You can connect to CVS series up to 3 serially.

CVS-LU1(UV LED)
This lighting is effective for object with fluorescent printing to detect.

External LED lighting

When you need brighter lighting and/or lighting from other direction to get better image, you can utilize external LED lighting. Please refer Page 54 for other lighting and power supply.

Bar Light



OPDB-50x15WS
50x15mm
OPDB-100x15WS
100x15mm

OPDB-50x15WS

Power supply



OPP-10-H(10W)

OPP-10-H(10W)
OPP-30-H(30W)

For external LED lighting.

Bracket for Lighting



CVS-OPDB-2000
CVS-OPDB-3040
CVS-OPDB-6080

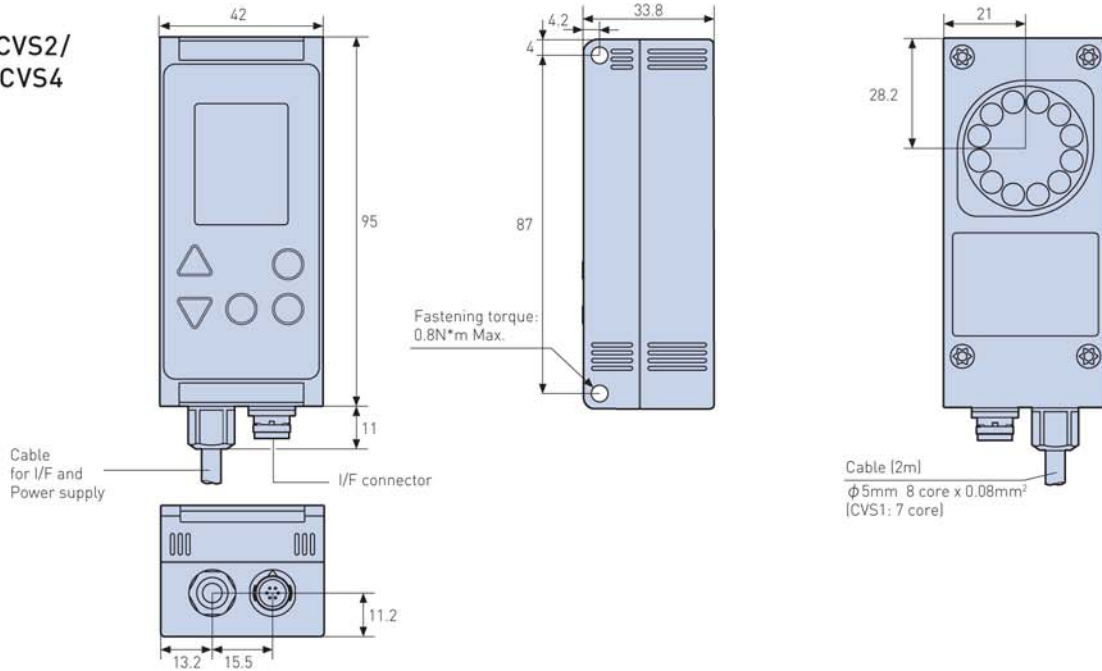
2 OPDB-50x15WS and CVS-OPDB-2000



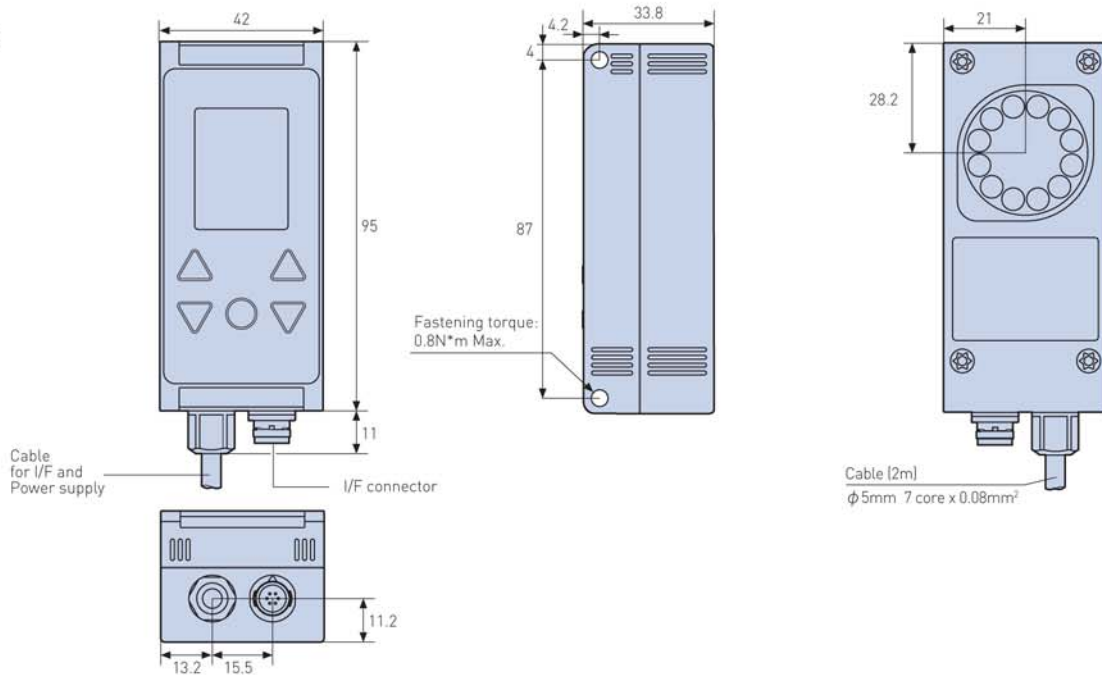
CVS-OP1000L
This is for mounting CVS series and external LED lighting.

Dimensions

CVS1/CVS2/ CVS3/CVS4



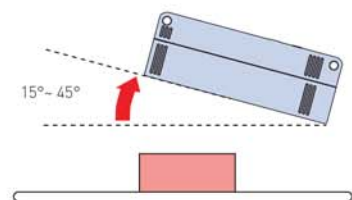
CVSE1



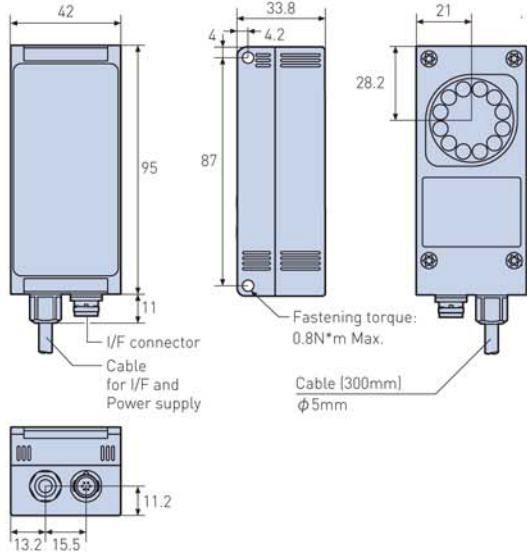
[unit: mm]

Tips for mounting CVS series

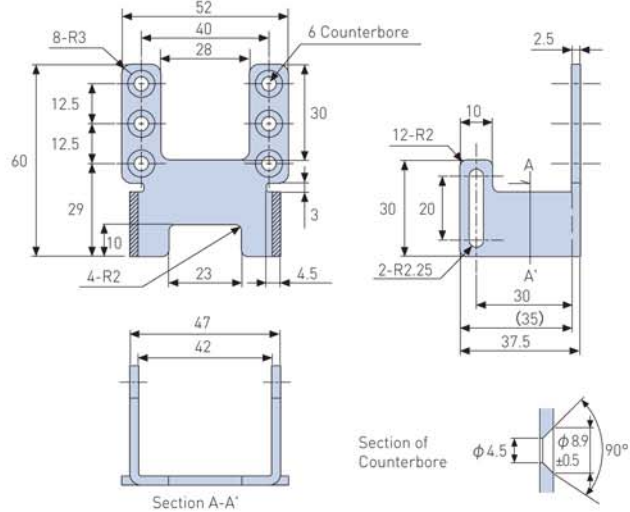
- Please determine Working distance and Field of View so that you chose correct model number of CVS series.
- Please use M4 * 50mm screws to mount CVS series
- Please take care about distance between CVS and target object to get stable size of Field of View.
- Please mount CVS at 15 to 45 degree to prevent specular reflection from the object especially from glossy object.
- When the object moves fast, you have to set shutter speed shorter. Then, you will need brighter lighting to get better image. Please try external lighting in this case.



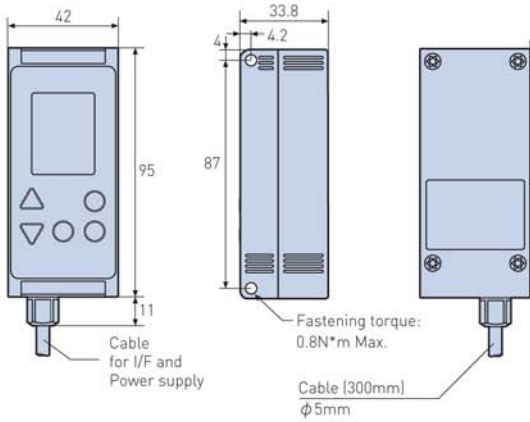
External light in CVS series shape
CVS-LW1(white color LED), CVS-LU1(UV LED)



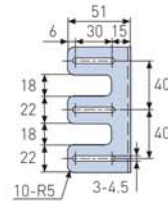
Bracket for Lighting
CVS-OPDB-2000



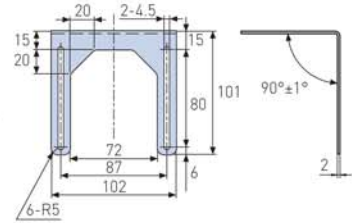
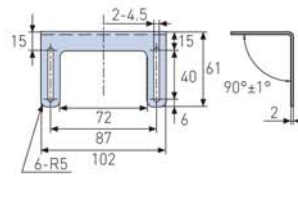
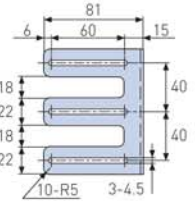
Remote monitor
CVS-M1



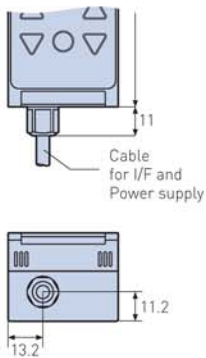
CVS-OPDB-3040



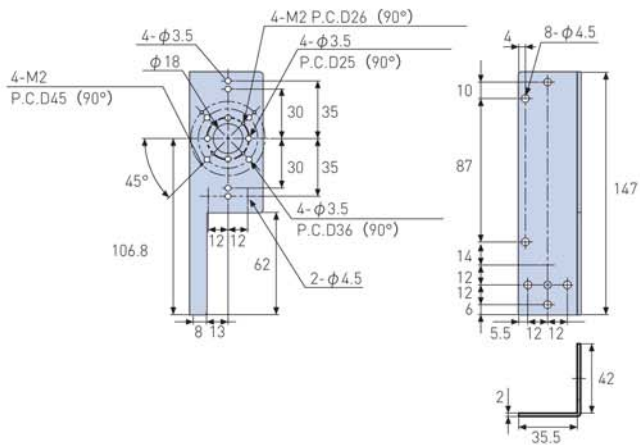
CVS-OPDB-6080



CVSE-M1



CVS-OP-1000L



(unit: mm)

LED LIGHTING LINE UP

OPDR
Direct Ring Lights



OPDR-F
Flat Ring Lights



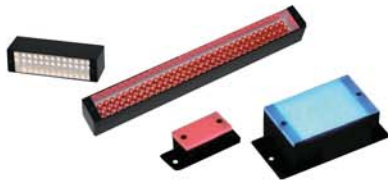
OPDR-LA
Low-angle Ring Lights



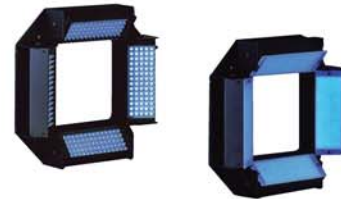
OPDR-H
Horizontal Ring Lights



OPDB
Bar Lights



OPDB-Q
Square Bar Lights



OPIR, OPIR-S
Diffuse Ring Lights



OPLR
Diffuse Low-angle Ring Lights



MVS Series

CVS Series

vision sensor
OPTIONS



OPLQ

Diffuse Low-angle Square Lights



OPDB-RGB

Full color Diffuse Bar Lights



OPLR-RGB

Full color Diffuse Low-angle Ring Lights



OPSM

Surface Mount Back Lights



OPEM

Edge Mount Back Lights



OPCX

Coaxial Lights



OPID

Diffuse Dome Lights



OPS,OPHS

Spot Lights





OPTEX
FA OPTEX FA CO., LTD.