

**OPTEX**

# INSTRUCTION MANUAL

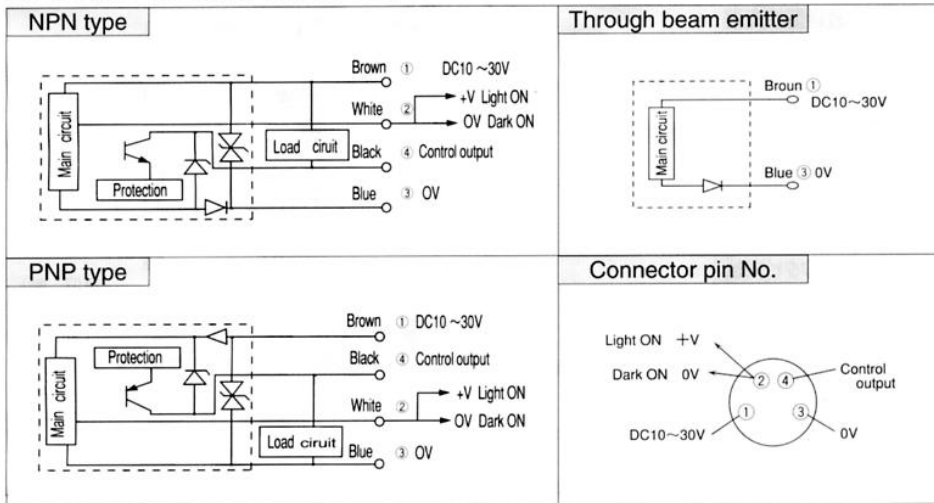
## S-SERIES PHOTOELECTRIC SENSOR

- Thank you for purchasing S series photoelectric sensor. Check that the specifications agree with yours.
- Please read this manual through before using the sensor, and retain it for future reference.

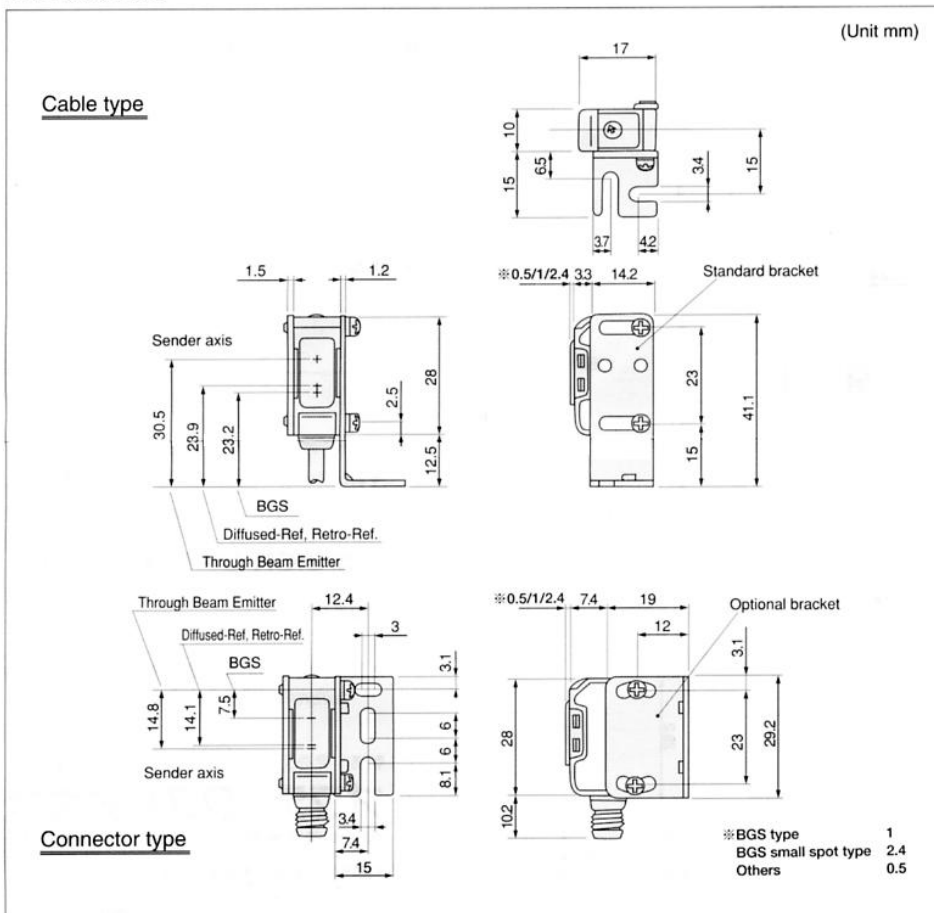
### SPECIFICATIONS

	Through beam	Diffused ref.	Retro-ref.	BGS	Transparent objects	BGS small spot
Cable type	ST-400 (N.P)	SD-20 (N.P)	SR-150 (N.P)	BGS-S08 (N.P)	SR-Q50 (N.P) W	BGS-S03N
Connector type	ST-400C (N.P)	SD-20C (N.P)	SR-150C (N.P)	BGS-S08C (N.P)	SR-Q50C (N.P) W	—
Detecting distance	4m	20cm	1.5m	10~80mm	50cm	8~30mm
Supply voltage	DC10~30V					
Current consumption	30mA max.	20mA max.				
Response time	0.5ms max.					
Control output	NPN/PNP Open collector DC30V 100mA max.					
Operation mode	Light ON/Dark ON selectable by wiring					
Sensitivity adjustment	1 turn volume		5 turn (endless)		1 turn volume	5 turn (endless)
Indicator	Light indicator (red)					
Ambient temp./humidity	-25~55°C / 35~85%PH					
Protection category materia	IP67 / Case : PSF+PBT (glass included) Front cover : PC (PMMA for Retro-ref)					

### INPUT AND OUTPUT CIRCUIT DIAGRAMS



### DIMENSIONS



### ACCESSORIES

- Standard reflector (for Retro-ref.)  
Detecting distance 1.5m Type : V-6 1
- Optional reflector  
Detecting distance 80cm Type : V-4 2
- Slit for Through beam type (option)  
Type : B L-1 5 0-1 0
- Bracket assy for vertical installation (option)  
Type : B E F-W 1 5 0-B

Slit width	0.5 mm	1 mm	2 mm
Distance (m)	0.5	1	1.8

(Slit be attached on both Emitter and Receiver)

Developed by  
• **OPTEX CO., LTD.**



Manufactured by  
**OPTEX CO., LTD.**  
4-7-5 Nishinohama Otsu 520-0801 Japan  
TEL:077524-6049 FAX:077524-3201 TELEX:5464852 OPTEX J

2001.9 0546942

Optex-FA U.S. sales  
Ramco Innovations  
(800) 280-6933  
www.optex-ramco.com