

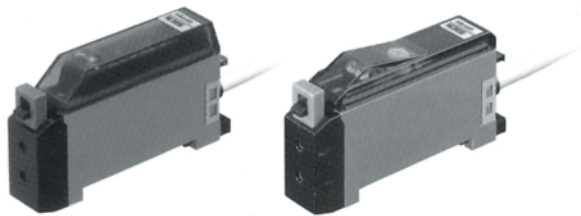
JRF-T series

With Teach in Functin

JRF series

With 4-turn sensitivity volume

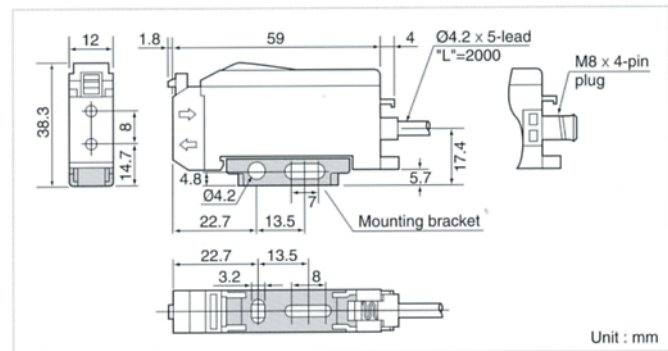
Remote-Teach function (JRF-T) provides convenience.



JRF-T Cable type
JRF-T Connector type

JRF Cable type
JRF Connector type

Dimensions



Specifications

Type			JRF-T Series - Teach-In Type	JRF Series - Manual adjustment
			External Remote Teach	Four Turn Manual Adjust
Model Number	Cable Type	NPN	JRF-TN	JRF-N
		PNP	JRF-TP	JRF-P
	M8 QD Type	NPN	JRF-TCN	JRF-CN
		PNP	JRF-TCP	JRF-CP
Response Time			300 μsec. / 600 μsec. - selectable	350 μsec.
Applicable Fiber Cables			NF series fiber cables, See catalog for choices	
Supply Voltage			12 ~ 24 VDC incl. 10% ripple	10 ~ 30 VDC incl. 10% ripple
Current Consumption			50 mA max.	40 mA max.
Control Output			NPN or PNP Open Collector Transistor, 100 mA / 30 VDC Max.	
Alarm Output			NPN or PNP Open Collector Transistor, 30 mA / 30 VDC Max. (The quick connect model does not have the alarm output)	NPN or PNP Open Collector Transistor, 100 mA / 30 VDC Max.
Test Input			N/A	Remote test input (N/A QD type)
Remote Input			Remote teach input	N/A
Operation Mode			Selectable Light-On or Dark-On operation	
Light Source			Red LED	
Sensitivity Adjustment			Teach-In button / External remote input	Four turn potentiometer
Indicators			Operation (Red), Stability (Green)	
Timer Function			Off delay, 40 msec. fixed	Off delay, 5 to 100 msec. adjustable
Circuit Protection			Reverse Polarity Protection, Overcurrent Protection	
Ambient Temperature			Operation -25°C to +55°C	
Ambient Humidity			35 - 85% RH (no freezing)	
Light Immunity			Sunlight: 10,000 lux, Incandescent Lamp: 3,000 lux	
Vibration Resistance			50 G, X-Y-Z 2 hours	
Shock Resistance			10 - 55 Hz. amplitude 1.5mm, X-Y-Z for 2 hours	
IP Protection			IEC IP 66	
Material			Case: ABS, Cover: PC	Case: Polysulfone, Cover: PC
Accessories			Mounting Bracket	

Note: Cables are not included with the QD sensor, please order separately.