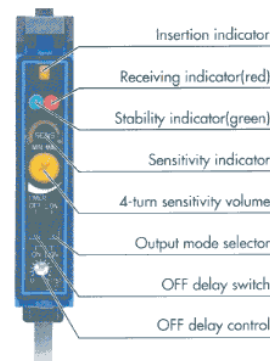
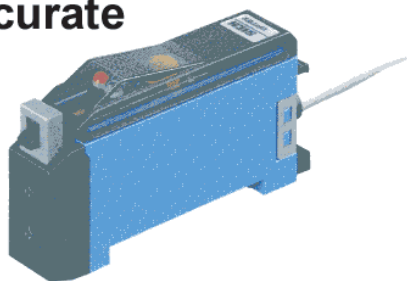


# An IP66 Environmental rating makes the JRF amplifier ideal for use in the most demanding applications.

## JRF SERIES

With 4-turn sensitivity pot.

4-turn adjustment potentiometer provides accurate setting for complete detection

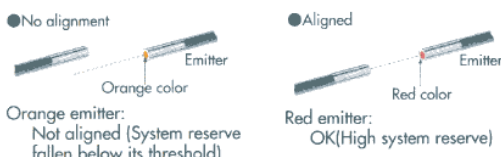


## Features

### Spot color control

Alignment of light axis can be confirmed by color changing of light from emitter.

**Simple alignment** Adjust the optical axis by the color of the light source.



Using this feature it is not necessary to look at the indicator on the sensor.

**Short response time: 350 μs.**

### Alarm output

Alarm outputs employ a self diagnosis circuit when the receiving light signal becomes weak.

### Test input

This function is used as the operation check of the sensor. When testing signal is added on its input line, light source is immediately switched off. By switching the light source, it is possible to monitor optical system, electronics and connection.

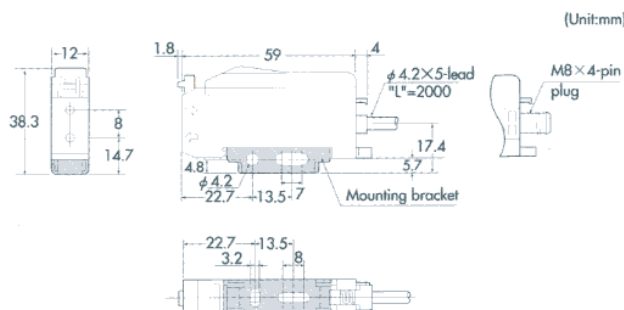
**Variable OFF delay timer: 5 to 100ms**

**Waterproof: IP66**

## Specifications

Type	CABLE TYPE	CONNECTOR TYPE	CABLE TYPE	CONNECTOR TYPE
Model	JRF-TN/TP	JRF-TCN/TCP	JRF-N/P	JRF-NC/PC
Light source	Red LED (660nm)		Red LED (660nm)	
Response time	300 μs/600 μs changeable		350 μs	
Sensitivity adjustment	Teaching button/ External remote input		4-turn potentiometer	
Indicator	Receiving (red)/ Stability (green) indicator		Receiving (red)/ Stability (green) indicator	
Timer function	OFF delay fixed at 40ms		OFF delay 5 to 100ms	
Output	Control output	NPN/PNP open collector max.100mA/ 30VDC		
	Alarm output	NPN/PNP open collector max.30mA/ 30VDC	N/A	NPN/PNP open collector max.100mA/ 30VDC
Input	Test input	N/A		Equipped
	Remote input	Equipped		N/A
Operating mode	Light ON/ Dark ON selectable by switch			
Connection	5-lead cable 2m	M8×4-pin	5-lead cable 2m	M8×4-pin
Isolated resistance	20MΩ Max (500VDC)			
Supply voltage	12 to 24VDC including 10% of ripple		10 to 30VDC including 10% of ripple	
Current consumption	50mA max.		50mA max.	
Ambient resistance	Temp/ humid	-25 to 55°C/35 to 85%RH		
	Illuminance	Sunlight, 10,000lux max./Incandescent light 3,000lux max.		
	Vibration	10 to 55Hz, amplitude 1.5mm, X,Y,Z 3 hours		10 to 55Hz, amplitude 1.5mm, X,Y,Z 2 hours
	Shock	Approx. 50G(500m/s <sup>2</sup> ) X,Y,Z, 3 times		
	Protection	IP66		

## Dimensions



## Connection diagram

