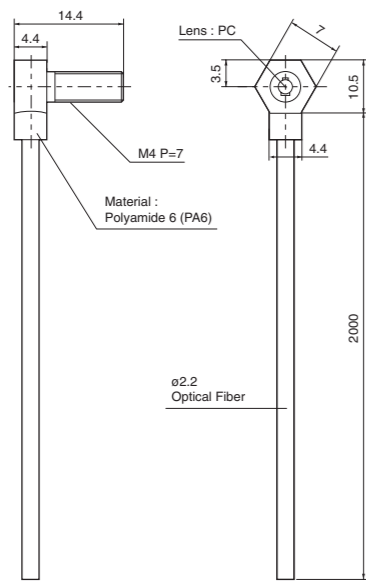
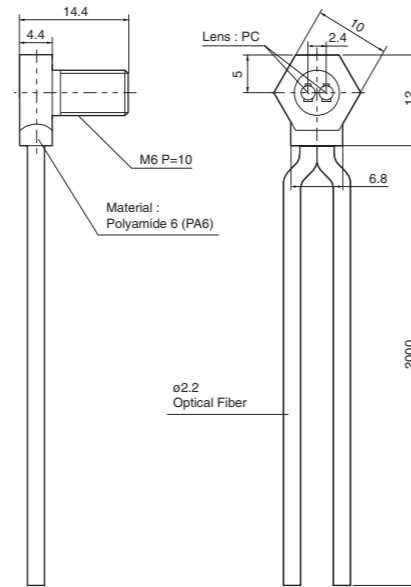


Dimensions (mm)

Thru-Beam Type



Diffuse Reflective Type



Thru-Beam Type

- NF02-TK Tight Bend R=2
- NF25-T Standard
- NF25-TH High Temp 105°C

Diffuse Reflective Type

- NF02-DK Tight Bend R=2
- NF25-D Standard R=25
- NF25-DH High Temp 105°C

Sensing Distance

Thru-Beam Type

Type	Distance / Response	Radius	Operating Temp.
D2RF NF25-T Standard	60µs 200	R25	-40°C~70°C
	250µs 600		
	2ms 800		
NF25-TH High temperature	60µs 170	R25	-40°C~105°C
	250µs 500		
	2ms 750		
NF02-TK Tight bend	60µs 150	R2	-40°C~70°C
	250µs 500		
	2ms 600		

Diffuse Reflective Type

Type	Distance / Response	Radius	Operating Temp.
D2RF NF25-D Standard	60µs 25	R25	-40°C~70°C
	250µs 80		
	2ms 120		
NF25-DH High temperature	60µs 25	R25	-40°C~105°C
	250µs 80		
	2ms 120		
NF02-DK Tight bend	60µs 10	R2	-40°C~70°C
	250µs 45		
	2ms 65		

D2GF

NF25-T Standard	60µs 100	R25	-40°C~70°C
	250µs 250		
	2ms 400		
NF25-TH High temperature	60µs 40	R25	-40°C~105°C
	250µs 120		
	2ms 150		
NF02-TK Tight bend	60µs 70	R2	-40°C~70°C
	250µs 250		
	2ms 300		

D2GF

NF25-D Standard	60µs 5	R25	-40°C~70°C
	250µs 25		
	2ms 40		
NF25-DH High temperature	60µs -	R25	-40°C~105°C
	250µs 9		
	2ms 15		
NF02-DK Tight bend	60µs -	R2	-40°C~70°C
	250µs 10		
	2ms 18		

BRF

NF25-T Standard	350	R25	-40°C~70°C
NF25-TH High temperature	300	R25	-40°C~105°C
NF02-TK Tight bend	270	R2	-40°C~70°C

BRF

NF25-D Standard	45	R25	-40°C~70°C
NF25-DH High temperature	45	R25	-40°C~105°C
NF02-DK Tight bend	15	R2	-40°C~70°C

BGF

NF25-T Standard	150	R25	-40°C~70°C
NF25-TH High temperature	100	R25	-40°C~105°C
NF02-TK Tight bend	130	R2	-40°C~70°C

BGF

NF25-D Standard	15	R25	-40°C~70°C
NF25-DH High temperature	10	R25	-40°C~105°C
NF02-DK Tight bend	10	R2	-40°C~70°C

BRF-H

NF25-T Standard	150	R25	-40°C~70°C
NF25-TH High temperature	130	R25	-40°C~105°C
NF02-TK Tight bend	130	R2	-40°C~70°C

BRF-H

NF25-D Standard	15	R25	-40°C~70°C
NF25-DH High temperature	10	R25	-40°C~105°C
NF02-DK Tight bend	10	R2	-40°C~70°C

Specifications are subject to change without prior notice.

Hex shaped fiber sensing head is ideal for space-savings and easy mounting.

Available in Standard, Tight Bend and High Temperature models.

90 degree Hex shaped fiber cables are ideal for use in areas where mounting space is limited. The plastic housing resists water and corrosion.



The NF25/02 fiber cables can be used with any Optex FA Amplifier.

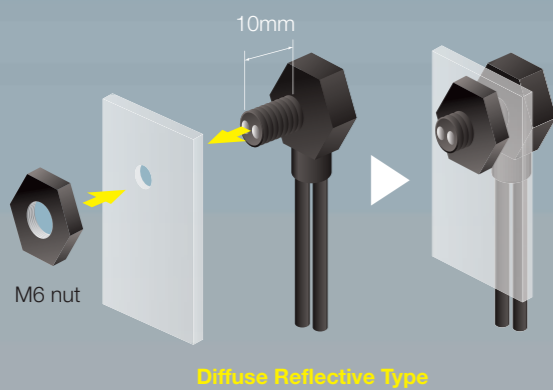
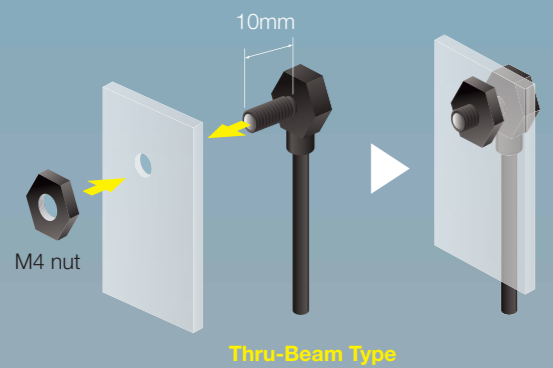
D2RF series
Digital amplifier

BRF series
Pot type economical amplifier

VRF-T series
Teach-in type amplifier

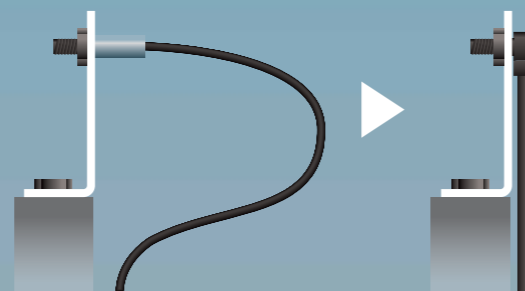
Easy Mounting

The NF25/02 fiber cables (M4 Thru-beam / M6 Diffuse Reflective) are easily mounted using the threaded tip. All that is required for mounting is a single nut. The threaded tip is sufficient in length to extend through most mounting surfaces.



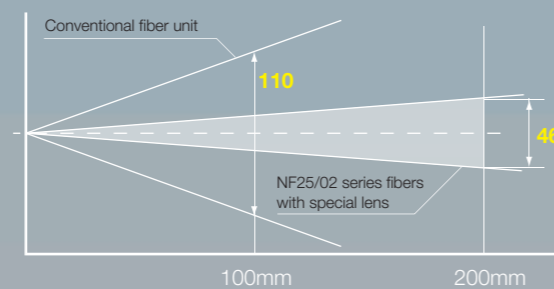
Space-saving installation

The design of the sensing head allows for installation in areas where a standard cable cannot be used.



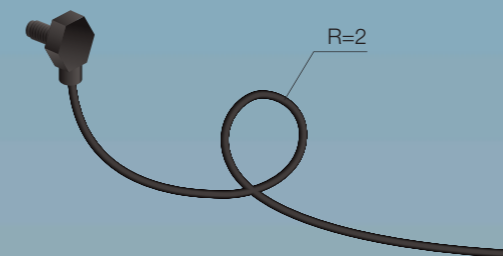
Narrow Beam Angle

The NF25/02 fiber cables have a lens mounted on the tip of the sensing head to project a narrow beam.



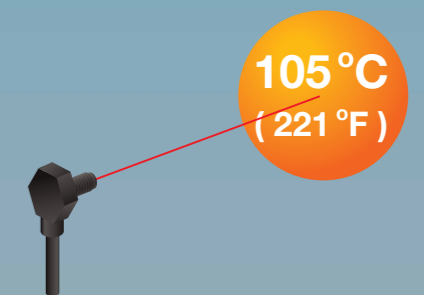
Tight Bend Type NF02 (R=2 mm)

The NF02 series can be bent to a 2 mm radius. This makes it ideal when mounting in areas where space is limited and helps to prevent the cable from becoming entangled with other parts of the equipment.



High Temperature Type NF25-H

The NF25-TH (Thru-beam) and NF25-DH type fibers are designed for use in high temperature applications. The cables are rated up to 105 degrees C (221 F).



IP67 Rating

Both the NF25 (Regular and High Temp) and the NF02 (Tight Bend) have a plastic housing, making them resistant to water and corrosion.



New Ergonomic Fiber Cutter

The NF25 and NF02 are free cut type fibers. The cutter that is included with the cable has been ergonomically designed to make cutting the cable quick and easy.

