

INSTRUCTION MANUAL

J2 J3 SERIES PHOTOELECTRIC SENSOR

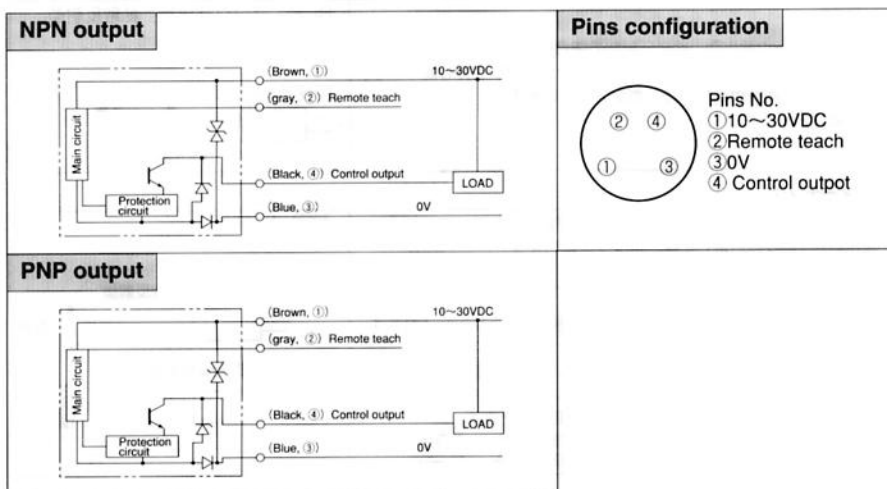
- Thank you for purchasing series photoelectric sensor. Check that the specifications agree with yours.
- Please read this manual through before using the sensor, and retain it for future reference.

1 SPECIFICATIONS

	Narrow beam Retro ref.	Narrow beam Diffused ref.	Diffused reflection		Narrow beam BGS	BGS	Transparent model	Mark detection
Cable type	J3R-(S,H)100(P,N)	J2D-(S,H)10(P,N)	J2D-(S,H)70(P,N)	J2D-(S,H)100(P,N)	BGS-3J(S,H)05(P,N)	BGS-(S,H)15(P,N)	JR-(S,H)Q50(P,N)(-5)	J3M-G(S,H)01(P,N)
Connector type	J3R-(S,H)100CP	J2D-(S,H)10(CP,CN)	J2D-(S,H)70(CP,CN)	J2D-(S,H)100(CP,CN)	BGS-3J(S,H)05CP	BGS-(S,H)15(CP,CN)	JR-(S,H)Q50(CP,CN)	J3M-G(S,H)01CP
Detection distance	0.03-1m *1	5-100m *3	0-0.7m *2	0-1m *2	15-50mm *3	50-150mm *3	0.05-0.5m *1	10±2mm *3
Supply voltage	DC10 ~ 30V							
Current consumption	40mA max.				45mA max.		40mA max.	40mA max.
Response time	0.2ms max.	0.5ms max.			0.7ms max.	2.5ms max.	0.5ms, 2.5ms max.	0.2ms max.
Hysteresis	-		15% max.		5% max.	8% max(on 100mm)	-	
Sender LED	Red LED			Infra Red LED	Red LED			Green LED
Sensitivity adjustment	Teaching button							
Indicator	Output indicator (orange LED), Stable incident indicator (Green LED)							
Control output	NPN/PNP Open collector DC30V 100mA max.							
Operation mode	Light ON Dark ON Selectable by switch							
Remote teach	NPN : connect to 0V PNP : connect to +V							
Ambient temp./humidity	-25 ~ 55°C/35 ~ 95%							
Ambient light	Ambient light Sunlight : 10,000 lx max. Incandescent lamp : 3,000 lx max.							
Protection category/Material	IP67 Case : PBT Lens : PC							

*1 V-61 Reflector *2 300×300mm white paper *3 100×100mm white paper

2 INOUT AND OUTPUT CIRCUIT DIAGRAMS

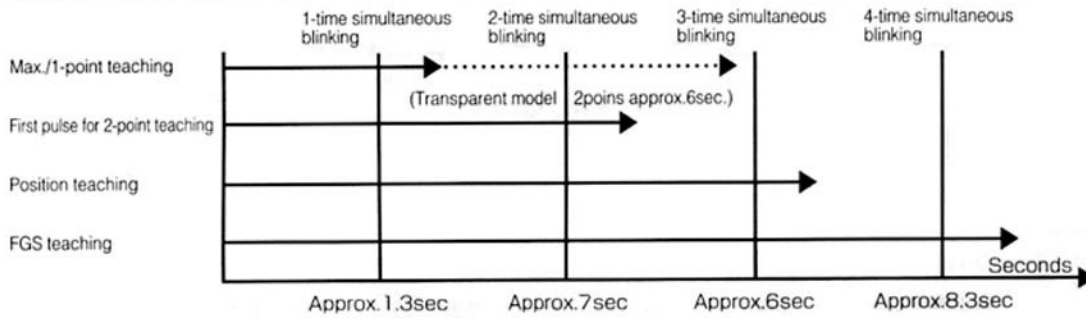


3 CAUTIONS

- Be careful not to install the sensor at the following locations, as it may otherwise malfunction.
 - Where a lot of dust, vapor, or the like is present.
 - Where corrosive gas is produced.
 - Where water, oil or the like flies directly onto the sensor.
 - Where strong vibration or shock is caused to the sensor.
 - Do not use organic solvent, such as thinner, to remove contaminants from the body case, lid, and lens which are all of plastics. Using a dry rag, just wipe clean.
 - When a switching regulator is to be used with a power supply, be sure to ground the Frame Ground Terminal.
 - Do not use the sensor in a transient state at power on.(about 100ms)
 - Do not run sensor cable near a high-voltage lines, or power lines or put them together in the same raceway. This warning should be strictly observed to prevent malfunctions caused by inductive interference.
- Do not use this product as a safety device for ensuring safety of persons.

4 TEACHING PROCEDURE (SENSITIVITY ADJUSTMENT)

1) Depending on the pressing duration of TEACHING BUTTON, the teaching mode can be determined.



- * Sensitivity is set at Max. in default state.
- * FGS teaching is only BGS.
- * Transparent model is only 1point teaching.

MAX. TEACHING (Max. sensitivity adjustment)

<ol style="list-style-type: none"> ① Press the button without any objects/backgrounds for BGS modes and Mark-detection and Diffused reflection. For retro-reflection models, press the button with interruption state. ② Release the button after the indicators simultaneously blink 1 time. ③ Teaching is complete. 	
--	--

ONE-POINT TEACHING

<ol style="list-style-type: none"> ① Press the button onto the background(Without objects). ② Release the button after the indicators simultaneously blink 1 time. ③ Teaching is complete. 	<p>Switching point</p>
<p>Switching point</p> <p>BGS and Mark-detection and Diffused-reflectionAdjusted not to detect the background.</p> <p>Retro-reflection and Transparent modeladjusted at the smallest stability(Min. detectable sensitivity) to the reflector.</p> <p>Transparent model.....Response time is selectable according to the pressing duration of TEACH BUTTON. 1-time simultaneous blinking - 2.5ms 2-times simultaneous blinking - 0.5ms</p>	

TWO-POINT TEACHING

<p>First point</p> <ol style="list-style-type: none"> ① Press the button until indicators simultaneously blink, 2 times. After blinking 2 times, release it. The first point is stored, and then the sensor turns to the input state for the second point starting simultaneous blinking of the indicators. 	<p>Switching point</p> <p>Switching point is adjusted at the middle between the first and second point.</p>
<p>Second point</p> <ol style="list-style-type: none"> ② APress the button (Any duration). The indicators simultaneous blink 2 times→Complete. The indicators alternately blink 3 times→Teaching error. Restart from the step ①. 	

POSITION TEACHING

<ol style="list-style-type: none"> ① Place the object onto light spot where the sensor should be ON, and press the button. ② Release the button after the indicators simultaneously blink 3 times. ③ Teaching is complete (No OK sign appears). The indicators alternately blink 3 times→Teaching error. Restart from the step ①. 	<p>Switching point</p> <p>Teaching position of the object switching point.</p>
--	--

FGS TEACHING (FGS is a function that detecting range can be adjusted as desired, out of the range is suppressed.)

<ol style="list-style-type: none"> ① Press the button onto the background(Without objects). ② Release the button after the indicators simultaneously blink 4 time. ③ Teaching is complete. The indicators alternately blink 3 times→Teaching error. Restart from the step ①. 	<p>Switching point</p> <p>Light ON : ON point in the limit of "a". Dark ON : OFF point in the limit of "a".</p>
---	---

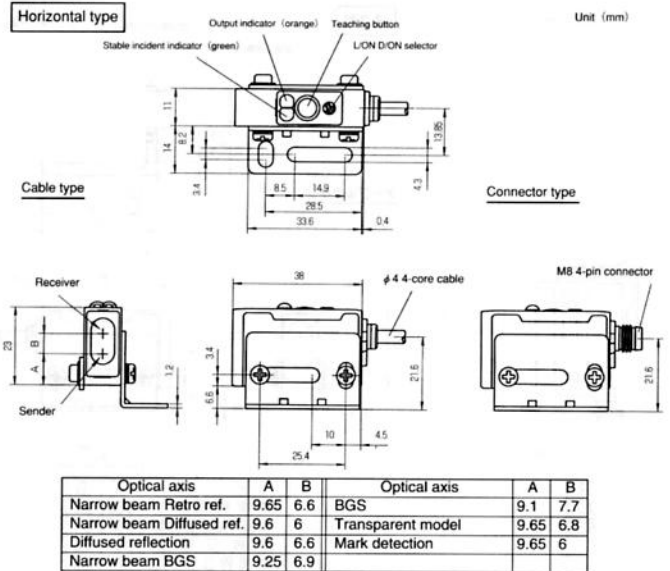
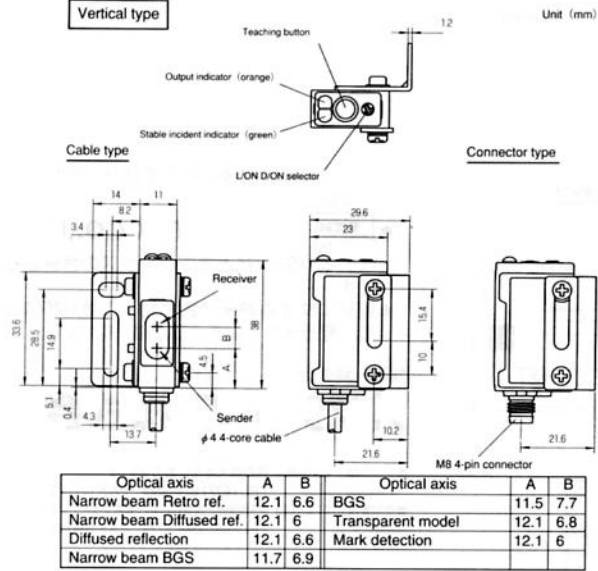
Note :

1. Releasing the button the indicators simultaneously blink 1 time, the switching point is not stored (Exclude the second point teaching)
2. In case of teaching error, the sensor is automatically reset, and function with the previous state.
3. Depending on the object or distance, ONE-POINT/POSITION TEATING is not taught for Mark-detection type.

2)REMOTE TEACHING

Connecting the gray lead to 0V for NPN models (PNP to +V), remote teaching can be done without pressing the button. Same as the button operation, the teaching mode can be determined depending on the pulse duration.

5 DIMENSIONS



Developed by

• **OPTEX CO.,LTD.**

Manufactured by



OPTEX CO., LTD

4-7-5 Nionohama Otsu 520-0801 Japan

TEL (077) 524-6049 FAX (077) 524-3201 TELEX5464852OPTEX J

2001.07 0533790