

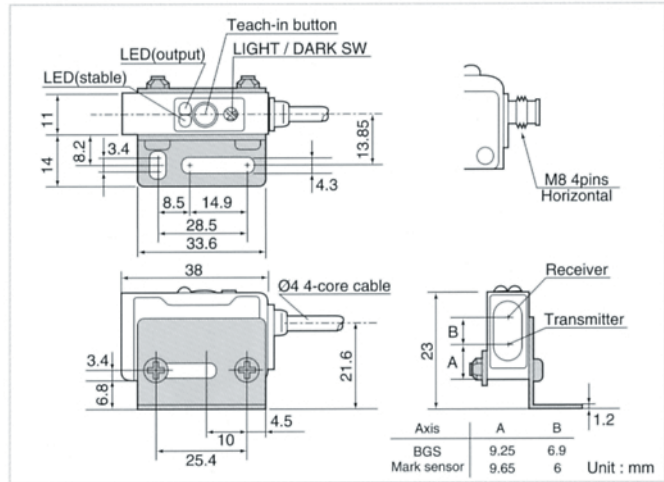
J2 series

Teach-in setting and performance under control of micro-computer. 1 meter long scanning distance even under conventional energetic (diffuse) reflection type.



Head-on type
Side-on type
J2 series common shape

Dimensions



Specifications

Type			J2 Series							
			Narrow View		Diffuse Reflective IR		Diffuse Reflective Red LED		BGS	
			Top Sensing	Side Sensing	Top Sensing	Side Sensing	Top Sensing	Side Sensing	Top Sensing	Side Sensing
Model Number	Cable Type	NPN	J2D-H10N	J2D-S10N	J2D-H100N	J2D-S100N	J2D-H70N	J2D-S70N	BGS-H15N	BGS-S15N
		PNP	J2D-H10P	J2D-S10P	J2D-H100P	J2D-S100P	J2D-H70P	J2D-S70P	BGS-H15P	BGS-S15P
	M8 QD Type	NPN	J2D-H10CN	J2D-S10CN	J2D-H100CN	J2D-S100CN	J2D-H70CN	J2D-S70CN	BGS-H15CN	BGS-S15CN
		PNP	J2D-H10CP	J2D-S10CP	J2D-H100CP	J2D-S100CP	J2D-H70CP	J2D-S70CP	BGS-H15CP	BGS-S15CP
Sensing Range			100 mm		1000 mm		700 mm		50 - 150 mm	
Projected Spot size			1.5 mm round @ 100mm		85 mm round @ 1000 mm		50 mm round @ 600 mm		10 mm square @ 150 mm	
Hysteresis			15 %		15 %		15 %		8 % @ 100 mm	
Supply Voltage			10 ~ 30 VDC incl. 10% ripple							
Current Consumption			40 mA max.		40 mA max.		40 mA max.		45 mA max.	
Response Time			0.5 msec. Max.		0.5 msec. Max.		0.5 msec. Max.		2.5 msec. Max.	
Control Output			NPN or PNP Open Collector Transistor, 100 mA / 30 VDC Max.							
Operation Mode			Selectable Light-On or Dark-On operation							
Light Source			Red LED		Infrared LED		Red LED		Red LED	
Sensitivity Adjustment			Teach-In (Remote Teach-In available)							
Indicators			Output (Orange), Stability (Green)							
Conformity			JIS, CE, CRYU							
Ambient Temperature			Operation: -25°C to +55°C							
Ambient Humidity			35 - 85% RH							
Storage Conditions			Storage: -40°C to +70°C, 35 - 95% RH							
Light Immunity			Sunlight: 10,000 lux, Halogen Lamp: 3,000 lux							
Vibration Resistance			10 - 55 Hz., amplitude 1.5mm							
Shock Resistance			100 G							
IP Protection			IP67							
Material			Case: PBT, Lens: PMMA							
Accessories			Mounting Bracket							

Note: Cables are not included with the QD sensor, please order separately.