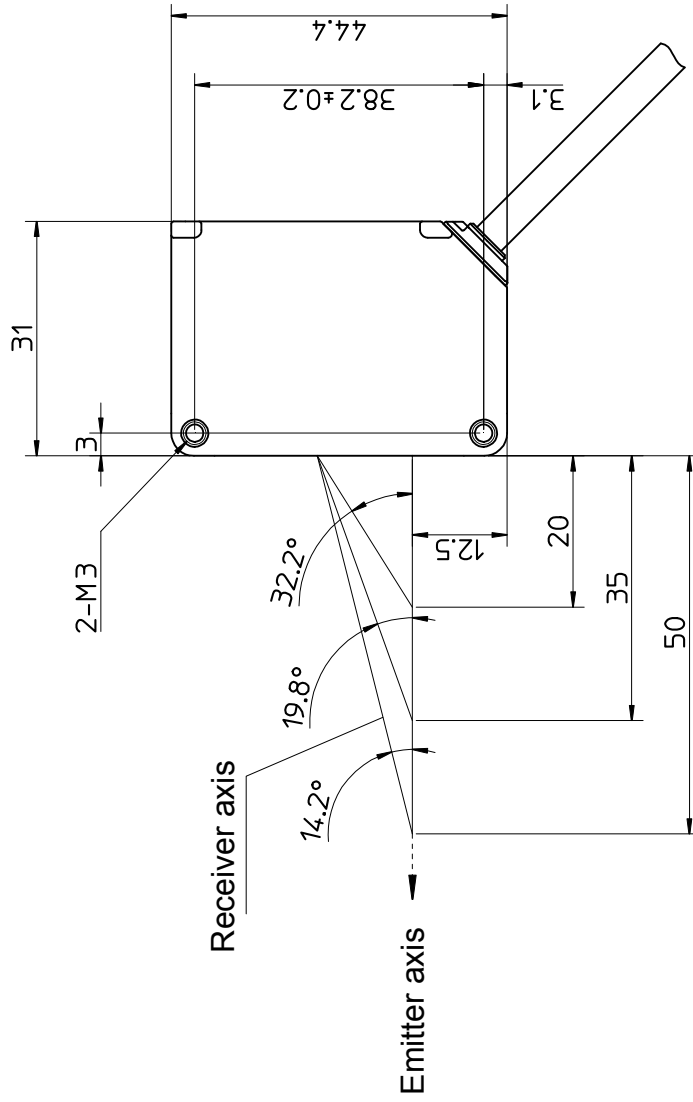


X120-Q024



<b>A4</b>	SCALE	<b>1/1</b>	UNIT	<b>m.m.</b>	DATE	<b>2013.05.01</b>	DESCRIPTION	<b>BGS-HL05T</b>
APPROVED BY	CHECKED BY	<b>K.Hirai</b>	DRAWN BY	<b>S.Nishimura</b>	DESIGNED BY	<b>S.Nishimura</b>	ITEM	<b>Laser axis</b>
<b>T. Yuguchi</b>							DRAWING NO	<b>X120-Q024</b>
3RD ANGLE PROJECTION								