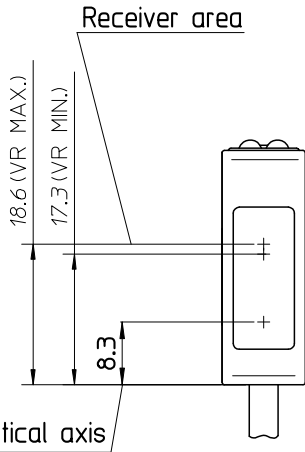
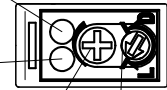


Output indicator(orange)

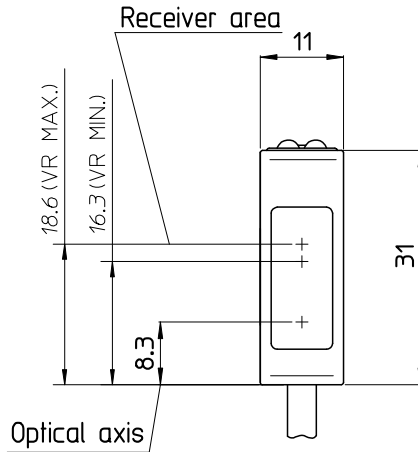
*LED type
Stable indicator(green)
*Laser type
Laser emission indicator(green)

Sensitivity adjustor

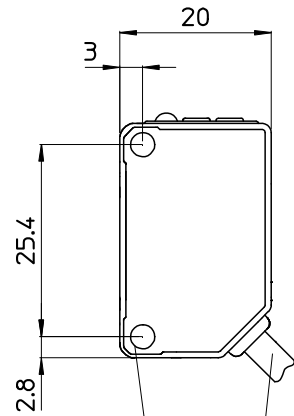
L.ON/D.ON selector



BGS-ZL30



BGS-ZL10



M3 P0.5 φ3.8 cable

Cable
Brown : DC 10..30V
Blue : GND
Black : Control output
Gray : Laser Stop *Laser type only
(NPN connect to GND /PNP connect to DC10..30V)

CON.NO	QUAN	NAME		MATERIAL	STANDARD	DISPOSAL	REMARKS
A4	SCALE 1/1	UNIT m.m.	DATE 2006.11.27	DESCRIPTION BGS-ZL Cable type			
APPROVED BY K.Matsumoto	CHECKED BY K.Matsumoto	DRAWN BY Shirakawa	DESIGNED BY Shirakawa	ITEM Dimensions			
3RD ANGLE PROJECTION	OPTEX-FA CO.,LTD.			DRAWING NO X99-Q001			