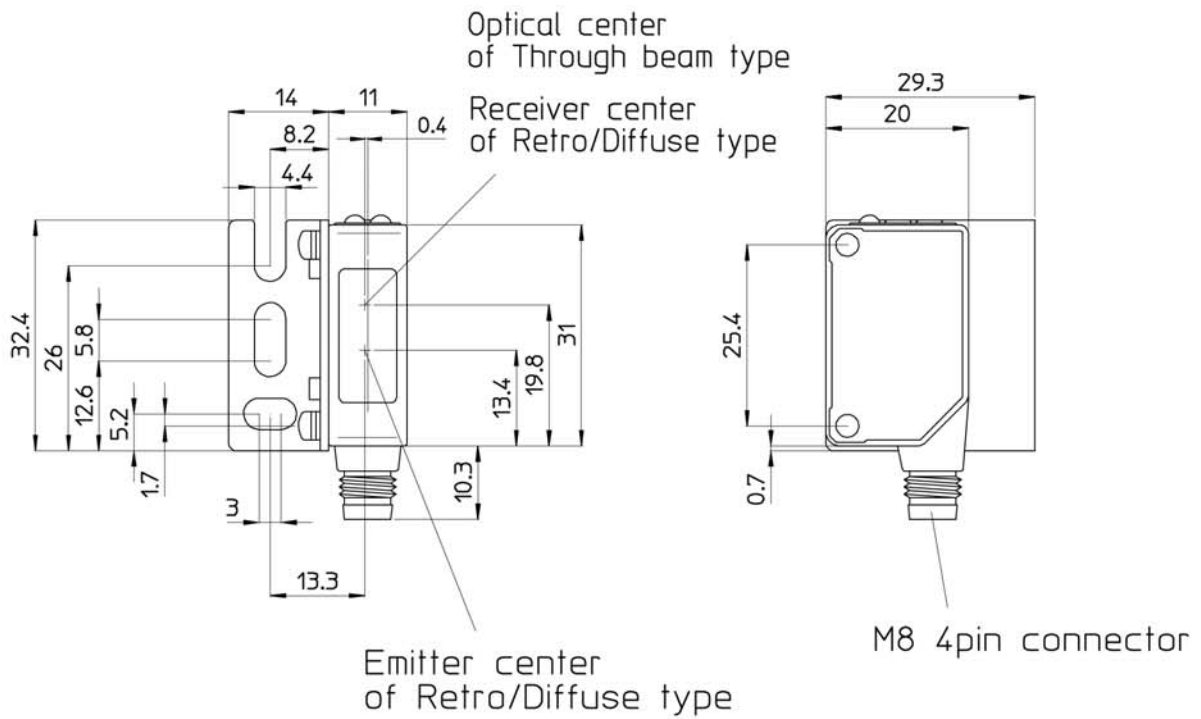
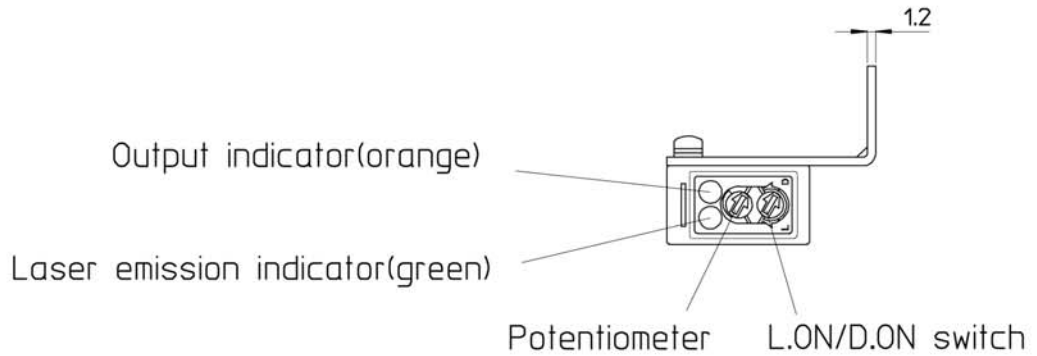


X88-Q014



CON.NO	QUAN	NAME		MATERIAL	STANDARD	DISPOSAL	REMARKS
A4	SCALE 1/1	UNIT m.m.	DATE 2005.8.8	DESCRIPTION Z Laser series			
APPROVED BY K.Matsumoto	CHECKED BY K.Matsumoto	DRAWN BY R.Kumo	DESIGNED BY R.Kumo	Connector type with standard bracket			
3RD ANGLE PROJECTION				ITEM Dimensions		DRAWING NO X88-Q014	
OPTEX CO.,LTD.							