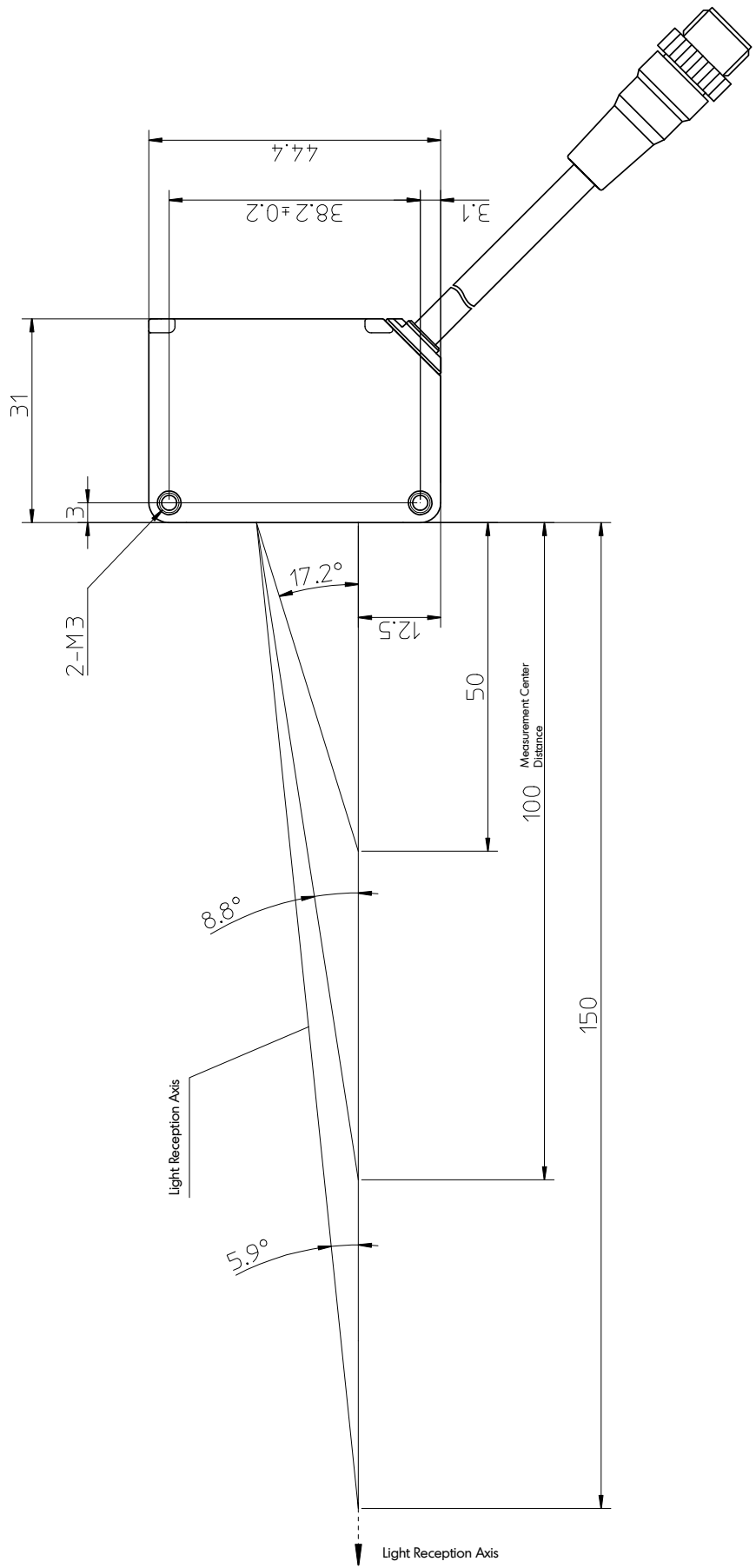


X120-Q011



<b>A4</b>	SCALE	<b>1/1</b>	UNIT	<b>m.m.</b>	DATE	<b>CD22-100</b>	
APPROVED BY	CHECKED BY	<b>K.Hirai</b>	DRAWN BY	<b>S.Nishimura</b>	DESIGNED BY	DESCRIPTION	
<b>T.Yuguchi</b>	<b>K.Hirai</b>	<b>K.Hirai</b>	<b>S.Nishimura</b>	<b>S.Nishimura</b>	ITEM		
3RD ANGLE PROJECTION	<b>FASTUS</b> OPTEX FA CO.,LTD.				DRAWING NO		
					X120-Q011		

光路図