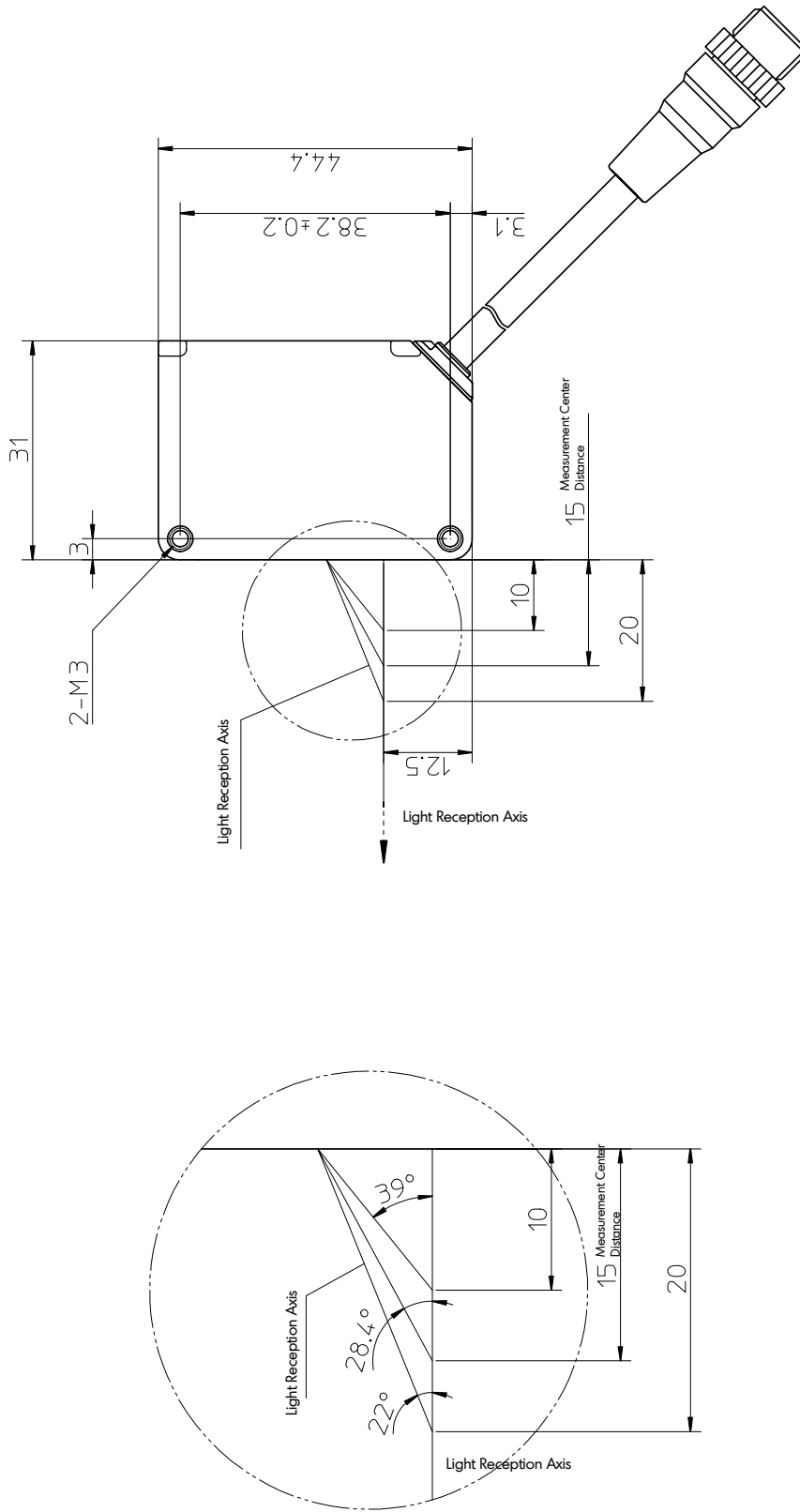


X120-Q013



A4	SCALE	1/1	UNIT	m.m.	DATE	2012.10.29	DESCRIPTION	CD22-15
APPROVED BY	CHECKED BY	K.Hirai	DRAWN BY	S.Nishimura	DESIGNED BY	S.Nishimura	ITEM	光路
T.Yuguchi	FASTUS OPTEX FA CO.,LTD.		www.Optex-Ramco.com		DRAWING NO		X120-Q013	
3RD ANGLE PROJECTION							800-280-6933	