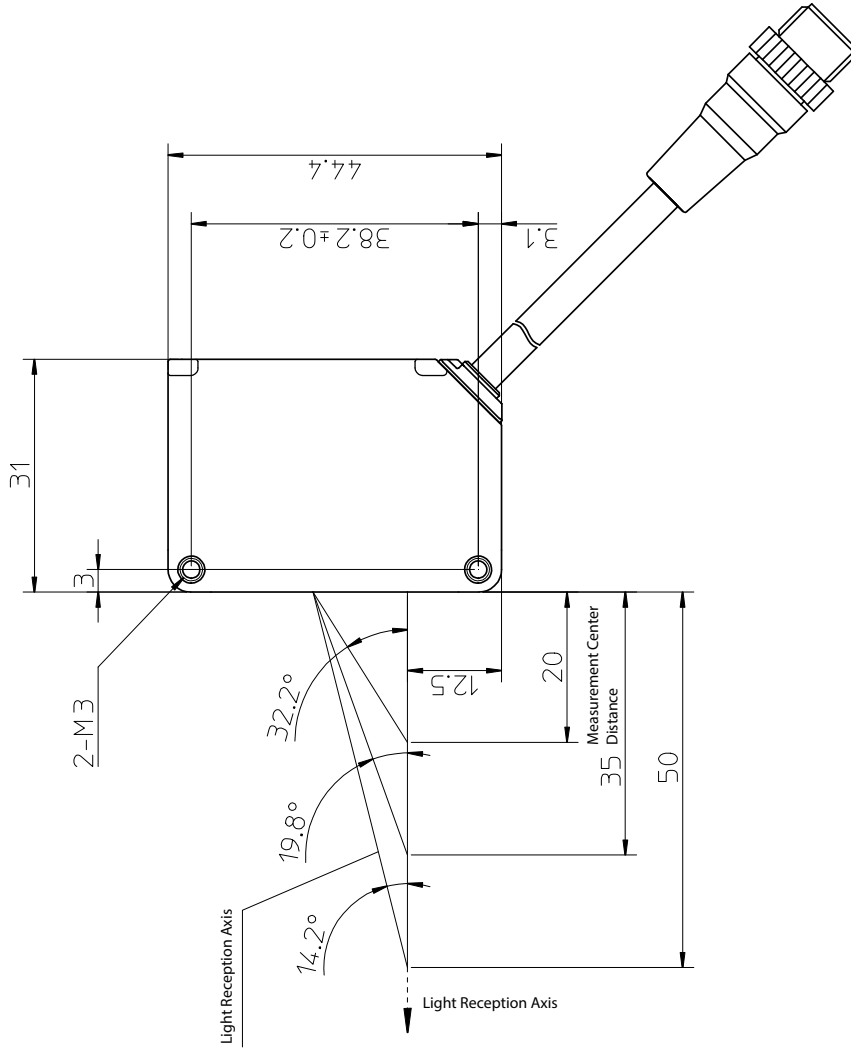


X120-Q012



A4	SCALE	1/1	UNIT	m.m.	DATE	2012.10.29	DESCRIPTION	CD22-35
APPROVED BY	CHECKED BY	K.Hirai	DRAWN BY	S.Nishimura	DESIGNED BY	S.Nishimura	ITEM	光路図
T.Yuguchi							DRAWING NO	X120-Q012
3RD ANGLE PROJECTION								