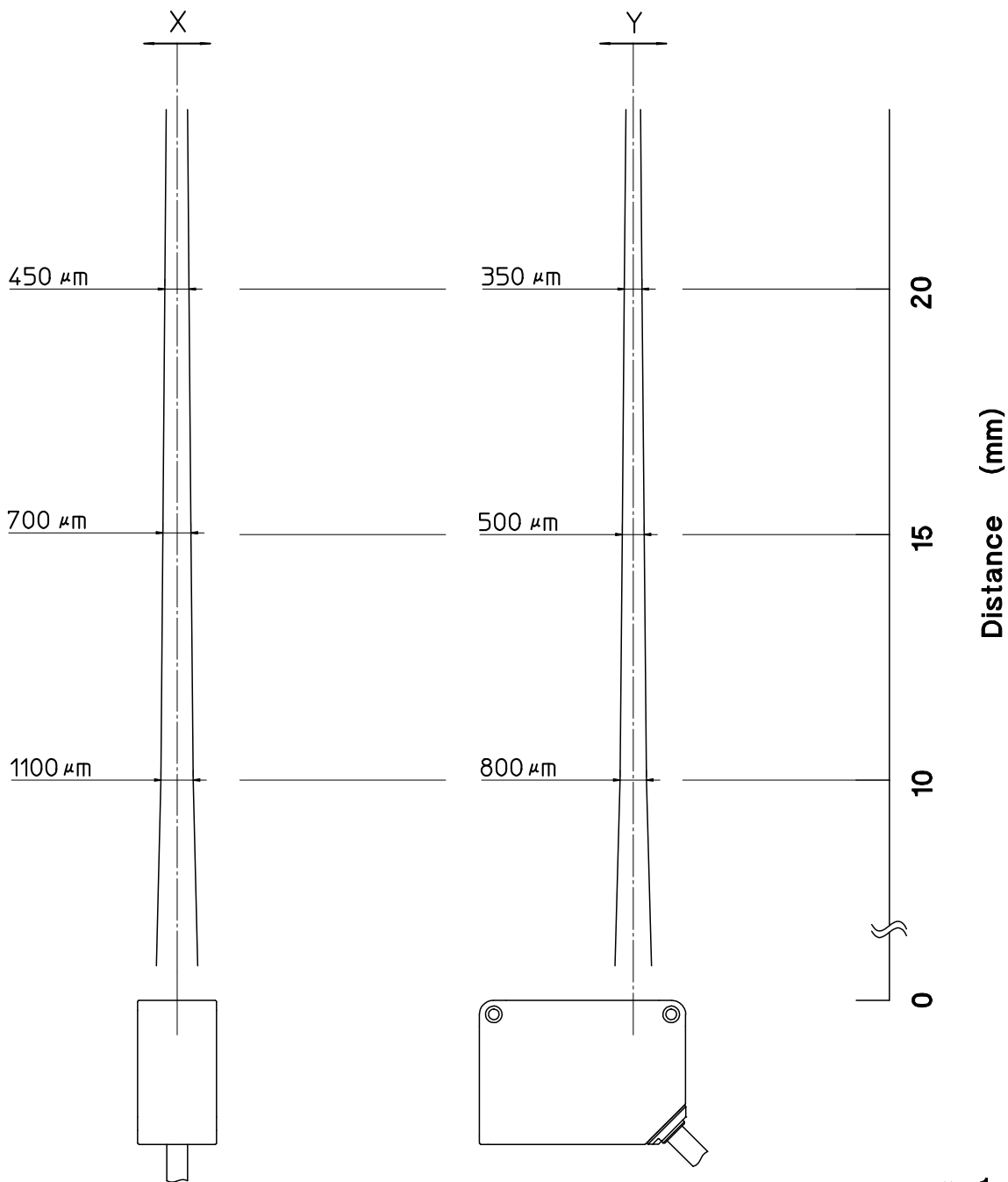


X120-Z001

|                      |    |
|----------------------|----|
| Beam Daviation Angle |    |
| X                    | Y  |
| ±1                   | ±1 |

[degree]

|  |  |  |  |
|--|--|--|--|
|  |  |  |  |
|  |  |  |  |
|  |  |  |  |



\* 1/e<sup>2</sup>

|                                 |                              |                                  |                                   |                                  |                  |          |         |
|---------------------------------|------------------------------|----------------------------------|-----------------------------------|----------------------------------|------------------|----------|---------|
| CON.NO                          | QUAN                         | NAME                             |                                   | MATERIAL                         | STANDARD         | DISPOSAL | REMARKS |
| <b>A4</b>                       | SCALE<br><b>X</b>            | UNIT<br><b>X</b>                 | DATE<br><b>2012.8.20</b>          | DESCRIPTION<br><b>CD22(M)-15</b> |                  |          |         |
| APPROVED BY<br><b>T.Yuguchi</b> | CHECKED BY<br><b>K.Hirai</b> | DRAWNED BY<br><b>S.Nishimura</b> | DESIGNED BY<br><b>S.Nishimura</b> | ITEM<br><b>Spot size</b>         |                  |          |         |
| 3RD ANGLE<br>PROJECTION         | <b>OPTEX FA CO.,LTD.</b>     |                                  |                                   | DRAWING NO                       | <b>X120-Z001</b> |          |         |