

318




C-MOS laser type

BGS-DL series

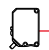


High detection stability by using C-MOS element

- | C-MOS linear image sensor
- | “SEN” automatic sensitivity control function
- | Equipped with FGS mode

Related products	Higher accuracy BGS-HL, BGS-HDL ● P.310 	Height/width measurement LS ● P.454 	Analog output CD22 ● P.464 

Selection table

Type	Shape	Sensing distance (Adjustable distance range shown in parentheses)	Distance adjustment	Model (Models in parentheses are connector types)	
				NPN type	PNP type
C-MOS laser		20 to 100 mm (40 to 100 mm)	Teaching + Manual adjustment	BGS-DL10TN (BGS-DL10TCN)	BGS-DL10TP (BGS-DL10TCP)
		20 to 250 mm (100 to 250 mm)	Teaching + Manual adjustment	BGS-DL25TN (BGS-DL25TCN)	BGS-DL25TP (BGS-DL25TCP)

● For the connector type, please purchase an optional JCN series connector cable.

Options/Accessories

Connector cables

Straight



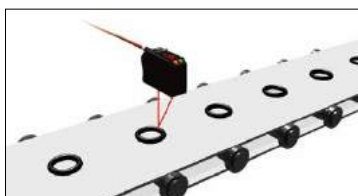
- JCN-S**
Cable length: 2 m
- JCN-5S**
Cable length: 5 m
- JCN-10S**
Cable length: 10 m

L-shaped



- JCN-L**
Cable length: 2 m
- JCN-5L**
Cable length: 5 m
- JCN-10L**
Cable length: 10 m

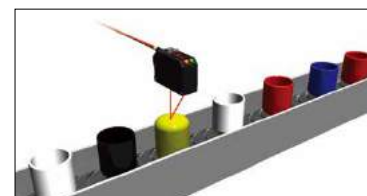
Confirmation of rubber gasket passage



Confirmation of retort pouch passage

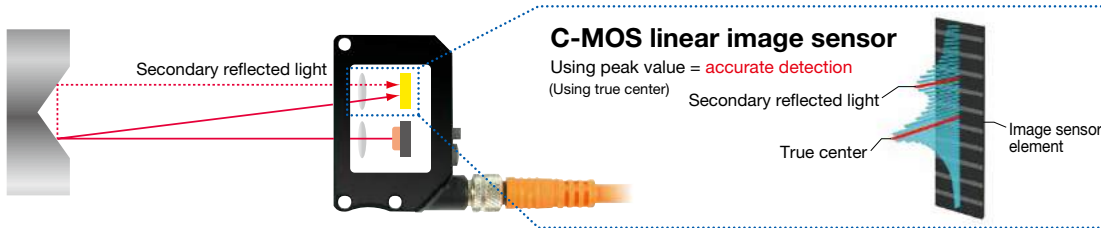


Cosmetic container cap orientation detection



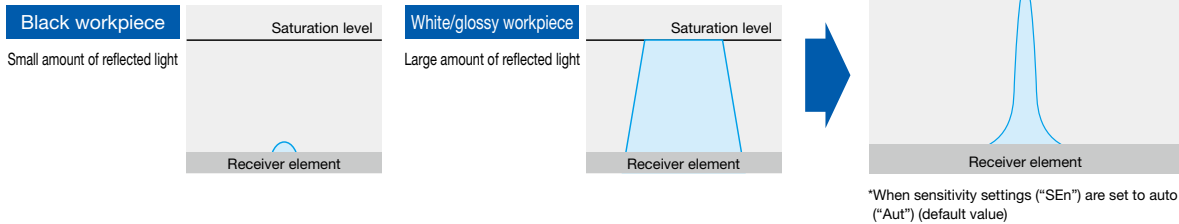
Industry's first! C-MOS linear image sensor *As a distance setting type. Optex FA examination performed August 2003.

With the linear image sensor method, the position at which reflected light is received most along a row of elements arranged in a straight line can be accurately detected. By accurately detecting the peak value of a received light waveform, any errors caused by the color of a workpiece or any surface roughness can be shut out.



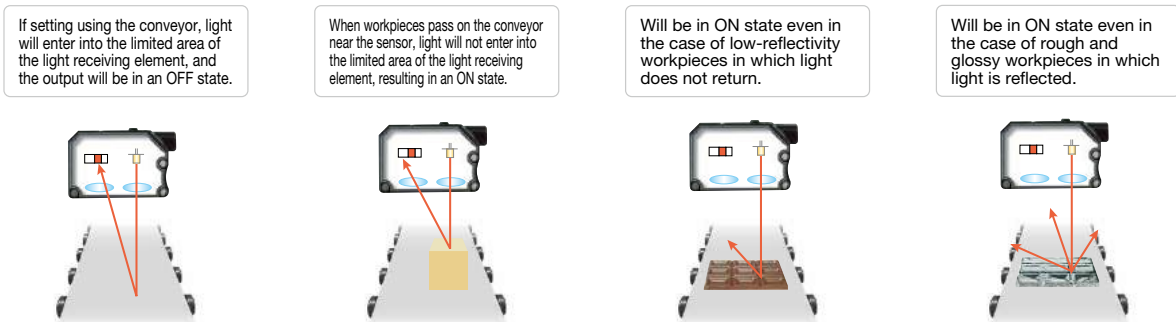
“SEN” automatic sensitivity control function

Sensitivity is automatically adjusted to the optimal level in accordance with the amount of light received by the sensor. Sensitivity is automatically increased for black-colored surfaces with low levels of reflected light and is automatically decreased for white or glossy surfaces with high levels of reflected light. Stable detection is also possible for glossy surfaces in which light levels undulate and are not constant. (Response time: Max. 14 ms)



FGS mode Foreground Suppression

Features a FGS mode in which the principals of retro-reflective types are applied to the FGS types. Because light is normally received from the background (Ex.: white conveyor belt) and operation occurs due to shading from workpieces, these sensors are optimal for slightly black workpieces or glossy workpieces, as well as rough workpieces, etc.



*A bright background is necessary when in FGS mode.

- Photoelectric Sensors
- Specialized Photoelectric Sensors
- Laser Displacement Sensors
- BGS Sensors
- BGS-HL, BGS-HDL
- BGS-DL
- BGS-ZL, BGS-Z
- BGS-ZM
- BGS-S, BGS-2S
- BGS
- BGS-DL (potentiometer type)

Photoelectric
SensorsSpecialized
Photoelectric
SensorsLaser
Displacement
Sensors

BGS Sensors

BGS-HL,
BGS-HDL

BGS-DL

BGS-ZL,
BGS-Z

BGS-ZM

BGS-S,
BGS-2S

BGS

BGS-DL
(potentiometer type)C-MOS laser type **BGS-DL** series

Specifications

Type			C-MOS laser sensors	
Model	NPN	Cable type	BGS-DL10TN	BGS-DL25TN
		Connector type	BGS-DL10TCN	BGS-DL25TCN
	PNP	Cable type	BGS-DL10TP	BGS-DL25TP
		Connector type	BGS-DL10TCP	BGS-DL25TCP
Sensing distance			20 to 100 mm ^{*1}	20 to 250 mm ^{*1}
Adjustable distance range			40 to 100 mm ^{*1}	100 to 250 mm ^{*1}
Light source			Red semiconductor laser Class 2 (IEC/JIS) ^{*2} Wavelength: 650 nm Pulse width: 300 μs Maximum output: 1 mW	
Spot size			Approx. ø1 mm At distance of 80 mm	Approx. ø2 mm At distance of 200 mm
Response time			1.5 ms (when sensitivity is fixed), Max. 14 ms (when sensitivity is in Auto)	
Hysteresis			3% or less	10% or less
Distance adjustment			Teaching type	
Threshold adjustment			Manual adjustment is possible after teaching	
Indicators			Output indicator (orange) Laser emission indicator (green)	
Digital display			7-segment, 3-digit display	
Control output			NPN/PNP open collector Max. 100 mA/30 VDC	
External input			Laser OFF input or teaching input (selectable by setting)	
Timer function			ON delay / OFF delay / One-shot 0 to 999 ms (setting is possible in 1 ms increments), 1 to 10 s (setting is possible in 1 s increments)	
Output mode			Light ON / Dark ON selectable by setting	
Connection type			Cable type: Cable length: 2 m (ø4 mm) / Connector type: M8, 4-pin	
Insulation resistance			20 MΩ or more (with 500 VDC)	
Rating	Supply voltage		10 to 30 VDC, including 10% ripple (p-p)	
	Current consumption		50 mA max (12 V), 35 mA max (24 V)	
Applicable regulations			EMC directive (2004/108/EC) / FDA regulations (21 CFR 1040.10)	
Applicable standards			EN 60947-5-2	
Company standards			Noise resistance: Feilen Level 3 cleared	
Environmental resistance	Ambient temperature/humidity		-10 to +40°C / 35 to 85% RH	
	Ambient illuminance		Sunlight: 10,000 lx or less Incandescent light: 3,000 lx or less	
	Vibration resistance		10 to 55 Hz; double amplitude 1.5 mm; 2 hours in each of the X, Y, and Z directions	
	Shock resistance		Approx. 50 G (500 m/s ²); 3 times in each of the X, Y, and Z directions	
Degree of protection			IP67	
Material			Housing: ABS Front cover: PMMA	
Weight without cable			Approx. 20 g (excluding cable)	
Included accessories			Mounting bracket: BEF-WK-190	

*1. Using a 100 × 100 mm white sheet of paper.

*2. Classified as Class II in the US FDA standards.

Photoelectric Sensors

Specialized Photoelectric Sensors

Laser Displacement Sensors

BGS Sensors

BGS-HL, BGS-HDL

BGS-DL

BGS-ZL, BGS-Z

BGS-ZM

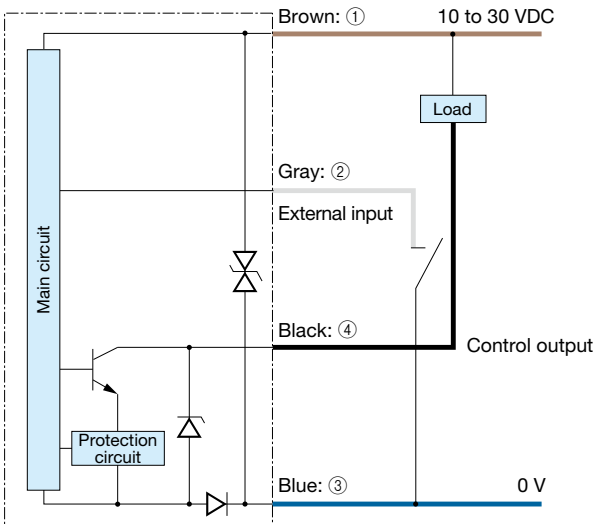
BGS-S, BGS-2S

BGS

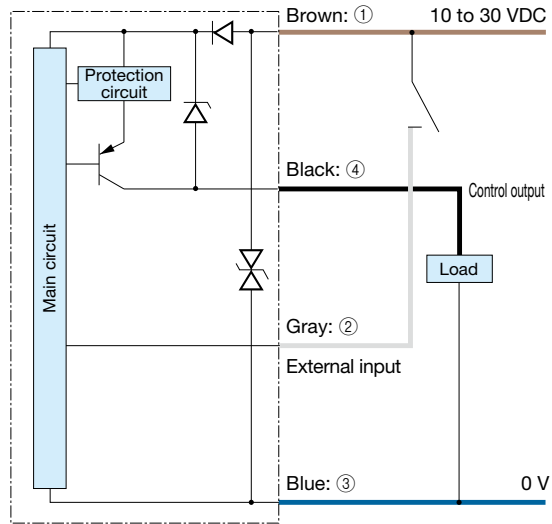
BGS-DL (potentiometer type)

I/O circuit diagram

NPN output type



PNP output type



*When using the FGS function with a background, this will be OFF during workpiece detection with Light ON, and ON when detecting with Dark ON.

Connector type

(Pin configuration) Sensor side Connector cable side



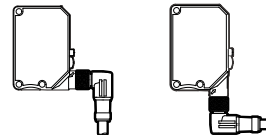
- ① 10 to 30 VDC
- ② External input
- ③ 0 V
- ④ Control output

Connecting

- When not used for external input, cut the lead wire and wrap it individually with insulating tape, and do not connect it to any other terminal.
- ① to ④ are connector pin No.

Notes

- Connect frame ground to the earth when the switching regulator is used for power supply.
- Because wiring sensor wires with high-voltage wires or power supply wires can result in malfunctions due to noise, which can cause damage, make sure to wire separately.
- Avoid using the transient state while the power is on (approx. 100 ms).
- The connector direction is fixed as the drawing below when you use L-shaped connector cable. Be aware that rotation is not possible.



Distance adjustment

	Order	Diagram	Teaching procedure
1-point teaching	1		While in a status with no workpiece (background), press the Teaching button until "1 PT" is shown in the display. (Approx. 2 sec.)
	2		The current value will be shown in the display, completing distance settings.

● To adjust threshold using the buttons, press the Up or Down button one time. Doing so will result in the status display showing the threshold, which can be adjusted when flashing by using the Up and Down buttons. Pressing Teaching Mode will result in a return to Run Mode. (Even if Teaching Mode is not pressed, a return to Run Mode will occur after 10 sec.)

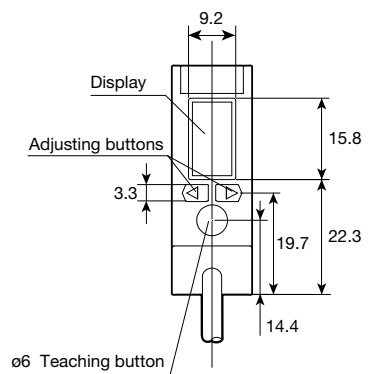
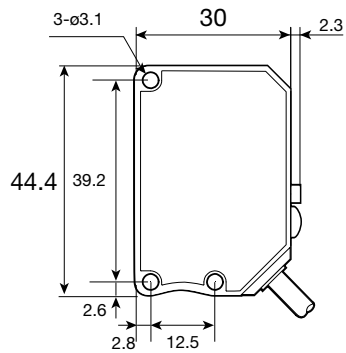
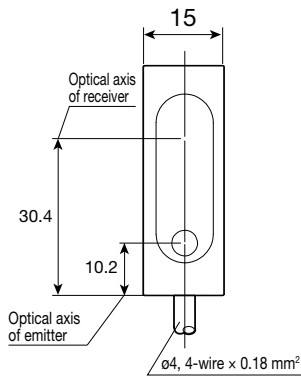
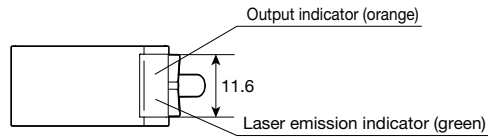
C-MOS laser type **BGS-DL** series

Dimensions

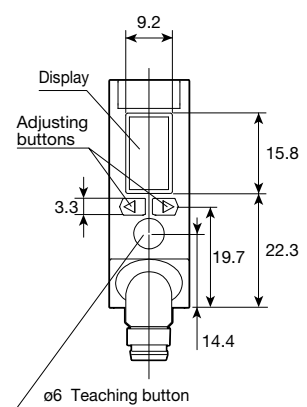
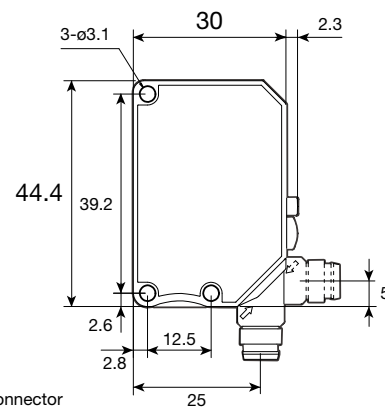
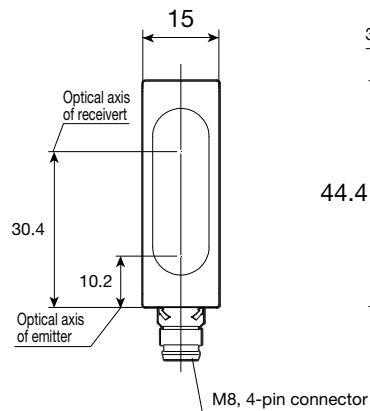
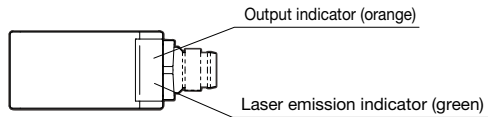
Sensor

■ Cable type

(Unit: mm)



■ Connector type



Photoelectric Sensors

Specialized Photoelectric Sensors

Laser Displacement Sensors

BGS Sensors

BGS-HL, BGS-HDL

BGS-DL

BGS-ZL, BGS-Z

BGS-ZM

BGS-S, BGS-2S

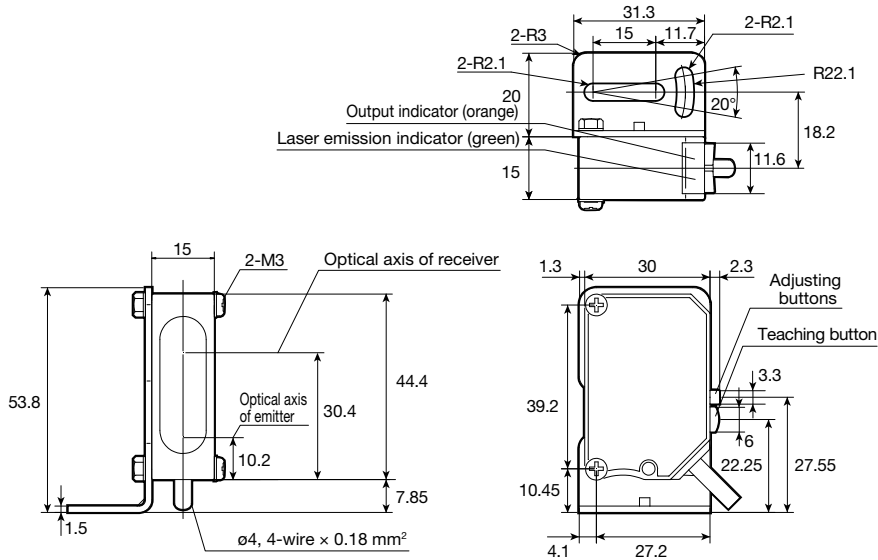
BGS

BGS-DL (potentiometer type)

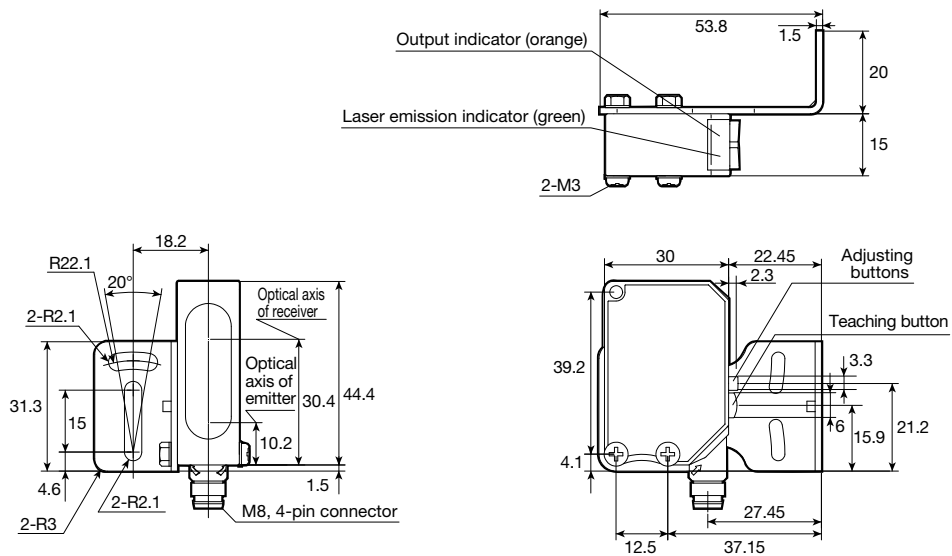
(Unit: mm)

Mounting bracket

■ Cable type



■ Connector type



Photoelectric
Sensors

Specialized
Photoelectric
Sensors

Laser
Displacement
Sensors

BGS Sensors

BGS-HL,
BGS-HDL

BGS-DL

BGS-ZL,
BGS-Z

BGS-ZM

BGS-S,
BGS-2S

BGS

BGS-DL
(potentiometer type)

C-MOS laser type **BGS-DL** series

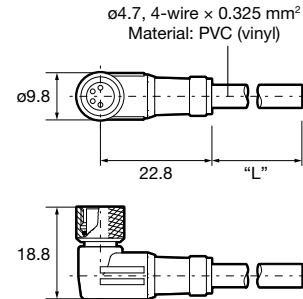
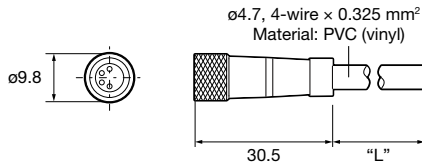
Dimensions

Connector cable (optional)

■ JCN-S, JCN-5S, JCN-10S

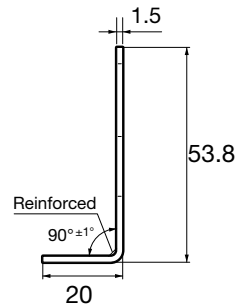
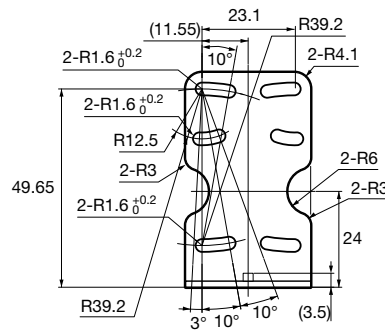
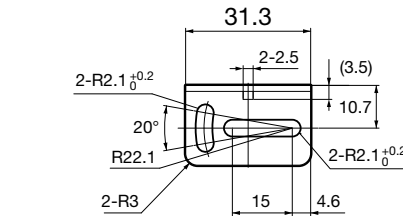
■ JCN-L, JCN-5L, JCN-10L

(Unit: mm)



Mounting bracket

■ BEF-WK-190 (included)



Photoelectric Sensors

Specialized Photoelectric Sensors

Laser Displacement Sensors

BGS Sensors

BGS-HL, BGS-HDL

BGS-DL

BGS-ZL, BGS-Z

BGS-ZM

BGS-S, BGS-2S

BGS

BGS-DL (potentiometer type)

Notes for sensor usage

This product emits a Class 2 (II) visible laser beam that is compliant with JIS C6802/IEC/FDA laser safety standards. Warning and explanation labels are affixed to the sides of the sensor.



Warning

Do not look directly at the laser or intentionally shine the laser beam in another person's eyes. Doing so may cause damage to the eyes or health.

Laser aperture



BGS-DL25T
BGS-DL10T

Photoelectric Sensors

Specialized Photoelectric Sensors

Laser Displacement Sensors

BGS Sensors

BGS-HL,
BGS-HDL

BGS-DL

BGS-ZL,
BGS-Z

BGS-ZM

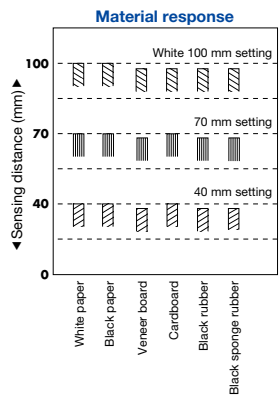
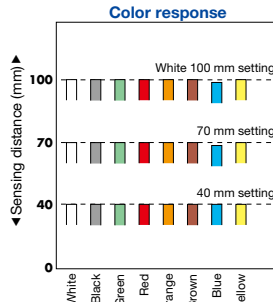
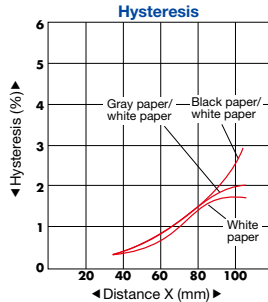
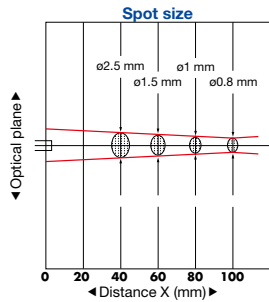
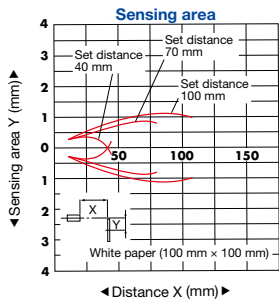
BGS-S,
BGS-2S

BGS

BGS-DL
(potentiometer type)

Typical characteristic data

BGS-DL10



BGS-DL25T

