

Photoelectric Sensor
Z SERIES



- ZT- 1200
- ZR- 350
- ZD- 70
- ZD- L09
- ZD- W20
- ZR- Q200
- ZR- X250
- ZR- QX200
- BGS-Z

INSTRUCTION MANUAL

- Confirm if the item meets your needs.
- Before the use, you should first thoroughly read this manual and operate correctly as mentioned.
- You should keep this manual at hand for proper use.

Carefully read and understand the safety precautions before operation. The important information is provided to protect your health and property. Do not apply any other installing or operating procedure other than that described in this manual.

Safety Precautions

- CAUTION**
- It is dangerous to wire or attach/remove the connector with the power on. Make sure to turn off the power before operation.
 - Make sure to use the product with the protective cover attached and closed.
 - Installing in the following places may result in malfunction:
 1. A dusty or steamy place
 2. A place generating corrosive gas
 3. A place directly receiving scattering water or oil.
 4. A place suffered from heavy vibration or impact.
 - The product is not designed for outdoor use.
 - Do not use the sensor in transient state after power on (approx. 100 ms).
 - Do not wire with the high voltage cable or the power line. Failure to do this will cause malfunction by induction or damage.
 - The sensor performance or digital display values may depend on the individual units or the condition of detected product.
 - This product is not an explosion-proof construction. Do not use the product under flammable, explosive gas or liquid environment.
 - Do not use the product in water.
 - Do not disassemble, repair, or convert the product. Failure to do this may cause failure, fire, or electric shock.
 - Operate within the rated range.
- This product cannot be used as a safety device to protect human body.

SPECIFICATION

	Through beam	Retro ref.	Diffused ref.	Limited range	Wide angle(divergent)
Cable type	ZT-1200(N,P) (D) (-B)	ZT-1200(N,P) IR	ZR-350(N,P) (D) (-B)	ZD-70(N,P) (-B)	ZD-L09(N,P) (-B)
Connector type	ZT-1200C(N,P) (D) (-B)	ZT-1200C(N,P) IR	ZR-350C(N,P) (D) (-B)	ZD-70C(N,P) (-B)	ZD-L09C(N,P) (-B)
Detecting distance	12m		0~3.5m (V-61)	0~70cm	10~90mm
Light Source	Red LED	IR LED	Red LED		
Spot size	φ 1.5mm/at 12m		φ 350mm/at 3.5m	φ 100mm/at 700mm	φ 12mm/at 90mm
Supply voltage	DC10~30V Including ripple (P-P) 10%				
Current consumption	Sender : 20mA max. Receiver : 15mA max.		20mA max.		
Response time	500 μs max.				
Control output	NPN/PNP Open collector 100mA max./DC30V				
Operation mode	Light ON, Dark ON Selectable by switch or Dark ON fixed("D" type)				
Sensitivity adjustment	1 turn volume/Not equipend("D" type)				
Indicator	Output indicator (orange LED)/Stable indicator (green LED)				
Ambient temp./ humidity	-25~55°C / 35~85%RH				
protection category / material	IP67 / Case : ABS (glass included) Front cover, Lens : PMMA				

	Transparent objects	Retro Coax.	Retro Coax. Transparent	BGS	
Cable type	ZR-Q200(N,P) (-B)	ZR-X250(N,P)	ZR-QX200(N,P)	BGS-Z10(N,P)	BGS-Z30(N,P)
Connector type	ZR-Q200C(N,P) (-B)	ZR-X250C(N4,N3,P4,P3)	ZR-QX200C(N4,N3,P4,P3)	BGS-Z10C(N,P)	BGS-Z30C(N,P)
Detecting distance	0.01~2m (V-61)	0~2.5m (V-61)	0~2m (P250F)	5~100mm※2	10~300mm※2
Light Source	Red LED				
Spot size	φ 300mm/at 2m	φ 60mm/at 2m	φ 10mm/at 100mm	φ 30mm/at 300mm	
Supply voltage	DC10~30V Including ripple (P-P) 10%				
Current consumption	20mA max.		30mA max.		
Response time	500 μs max.	250 μs max.	500 μs max.		
Control output	NPN/PNP Open collector 100mA max./DC30V				
Operation mode	Light ON, Dark ON Selectable by switch				
Sensitivity adjustment	1 turn volume		4 turn(endless)		
Indicator	Output indicator (orange LED)/Stable indicator (green LED)		Output indicator (orange LED)		Output indicator (orange LED)/Stable indicator (green LED)
Ambient temp./ humidity	-25~55°C / 35~85%RH				
protection category / material	IP67 / Case : ABS (glass included) Front cover, Lens : PMMA				

'D' in the type : Sensitivity adjuster is not equipped and dark on fixed.

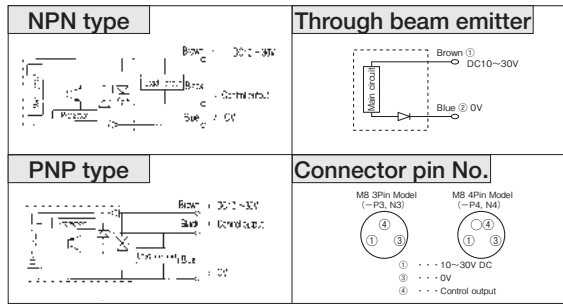
'B' in the type : Without accessories. (bracket, reflector)

'N4' 'P4' is 4pin type. 'N3' 'P3' is 3pin type

※1 White90% 250×200mm

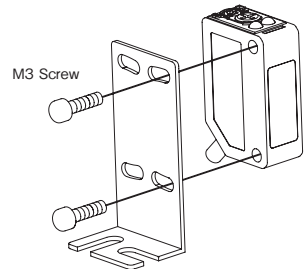
※2 White90% 100×100mm

INPUT AND OUTPUT CIRCUIT DIAGRAMS

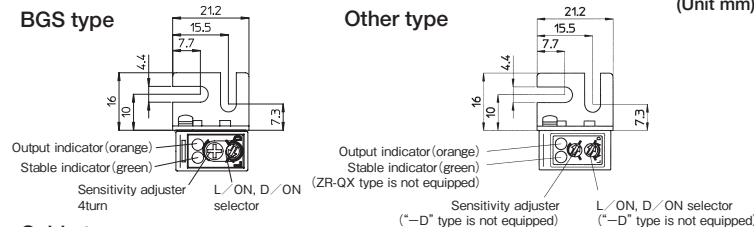


Attachment

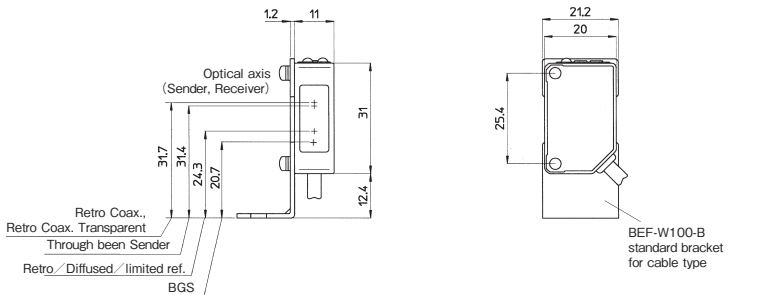
Tightening torque need to be under 0.5N-m.



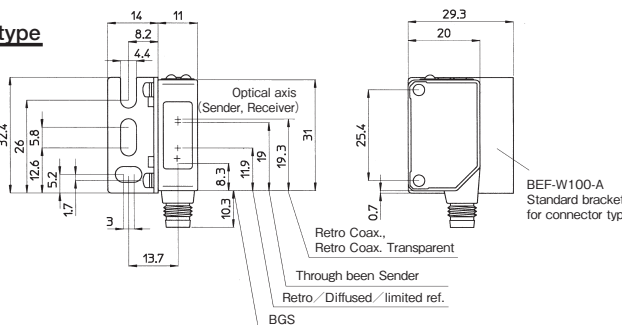
DIMENSIONS



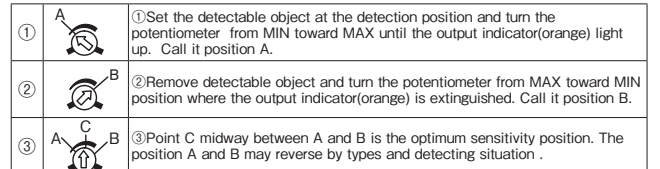
Cable type



Connector type



Adjusting the potentiometer



Reflectors

- Type : V-61
Standard for Retro Types except ZR-QX200.
- Type : R250F
Standard for ZR-QX200.
- 3.5m : ZR-types
2.5m : ZR-X types
- 2.0m : ZR-QX200 only
- Type : V-42
Optional reflector for all except ZR-QX200
- Type : P45
Optional reflector for all except ZR-QX200
- 2.0m : ZR-types
1.5m : ZR-X types
- 1.2m : ZR-types
0.8m : ZR-X types

Manufactured and sold by :

OPTEx FA CO., LTD.
600-8815 Kyoto, Shimogyo, Awata Chudoji 93, Japan
TEL.+81-(0)75-325-2920
FAX.+81-(0)75-325-2921

Website: <http://www.optex-fa.com>

! Must not use this item as safety equipment for the purpose of human body protection.

- Specifications and equipment are subject to change without any obligations on the part of manufacture.
- For more information, questions and comments regarding products, please contact us below.