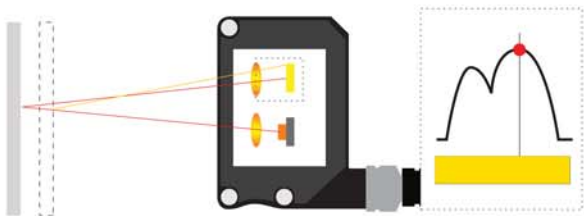




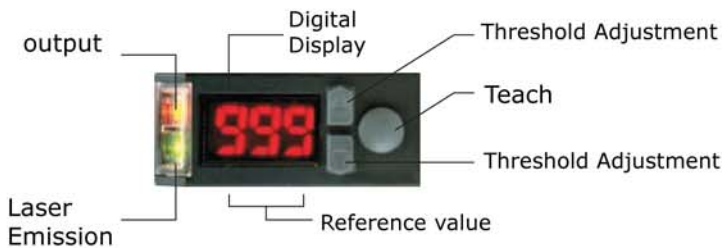
HIGH PRECISION BACKGROUND SUPPRESSION LASER

More accurate detection with CMOS

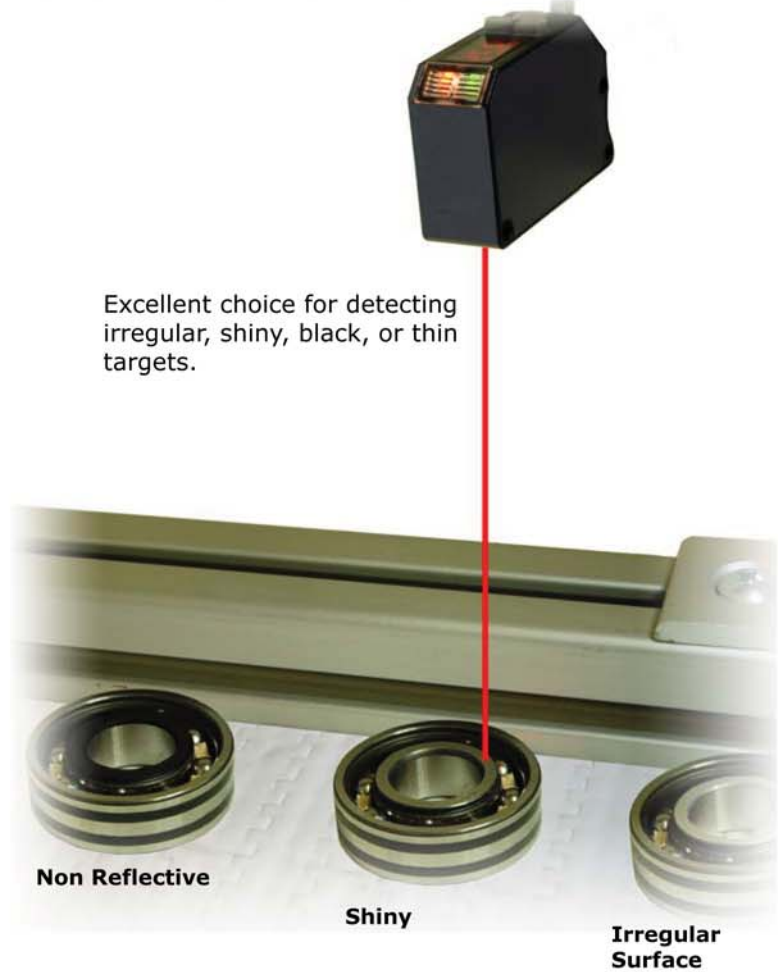


The BGS-DL Series utilizes a CMOS image sensor that can detect light quantity at each pixel allowing for very accurate detection of the peak position of returned light.

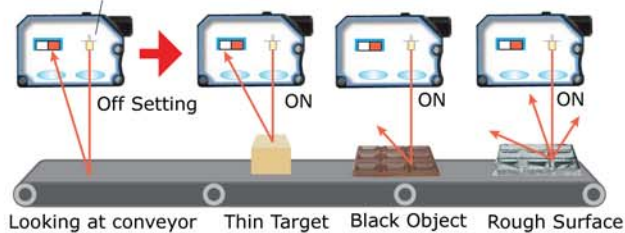
Display with digital sensitivity adjustment



Excellent choice for detecting irregular, shiny, black, or thin targets.



Foreground suppression mode



FGS mode is designed for detecting thin or irregularly shaped targets on a consistent background such as a conveyor, nest, etc.

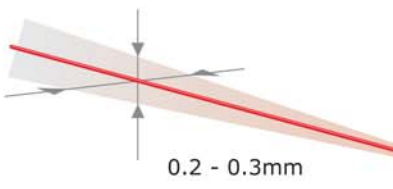
- **Advanced Optical Design**
- **.2mm Repeat Accuracy**
- **Full Function Timer**
- **Remote Teach**
- **FGS and BGS Mode**
- **Comparator Output Mode**
- **Economical 4 turn Adjuster Option**
- **90 Degree Swivel Connector Option**

SPECIFICATIONS

BGS-DL SERIES BGS LASER SENSORS

MODEL	Laser CMOS BGS (Teach in Type)		Manual Adjust PSD	
Type	High Accuracy	Longer Range	Accurate Type	Longer Range
Cable Type	BGS-DL10TN (or TP)	BGS-DL25TN (or TP)	BGS-DL10N (P)	BGS-DL30N
M8 Connector Type	BGS-DL10TCN (or TCP)	BGS-DL25TCN (or TCP)	BGS-DL10CN (CP)	BGS-DL30CN (CP)
Range	40 - 100mm	100 - 250mm	40 - 100mm	100 - 300mm
Spot Size	Ø1mm / 80mm	Ø2mm / 200mm	Ø3mm / 80mm	Ø6mm / 200mm
Sensitivity adjustment	Push Button with fine adjust buttons		4 turn Potentiometer	
Hysteresis	3% / 100mm	10% / 200mm	5% / 80mm	5% / 200mm
Supply Voltage	DC10-30V including 10% ripple (P-P)			
Current Consumption	50mA max (12V), 35mA max (24V)		35ma	
Response Time	1.5ms (fixed Sensitivity)		0.7ms	
Timer	Off delay/On Delay/One shot delay (1ms increment : 0-999ms, 1s increment for 1-10s)		N/A	
External Input	Remote Teach / Laser off selectable		N/A	
Light Source	Red Laser Diode 650nm, Max 1mW 300us, Class 2		Red Laser Diode 650nm, Max 2mW 600us, Class 2	
Indicator	Output Indicator (Orange), Laser Emission (Green)			
Digital Indicator	7 Segment , 3 digit RED LED		N/A	
Control Output	NPN or PNP			
Operation Mode	Light/Dark On Selectable			
Ambient Temp	-10 to 50 C (14 to 122 F)			
Protection category	IP67			
Shock resistance	50G (500m/S ²), XYZ 3 directions			
Materials	Anti-Bacterial ABS (Housing), PMMA (lens)			

2M cable for connector version part# M8-FS4-PVC-2M

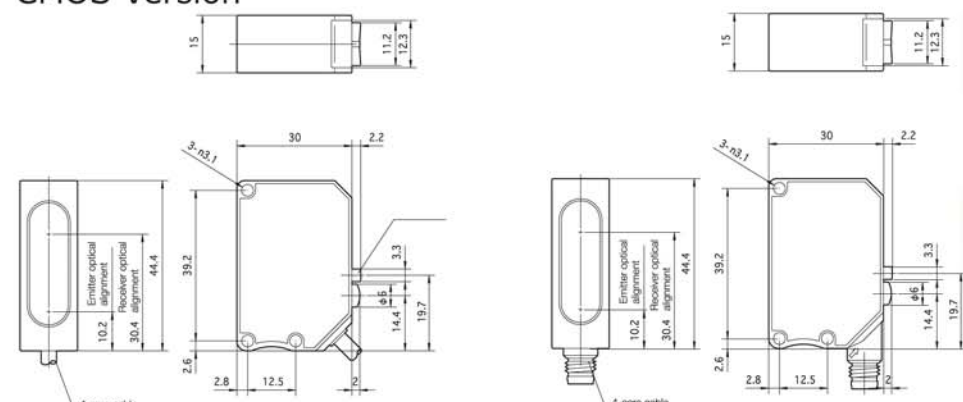


Very tight Repeat accuracy of 0.2 - 0.3mm for positioning applications.



DIMENSIONS

CMOS Version



Cable type sensor

Connector type sensor